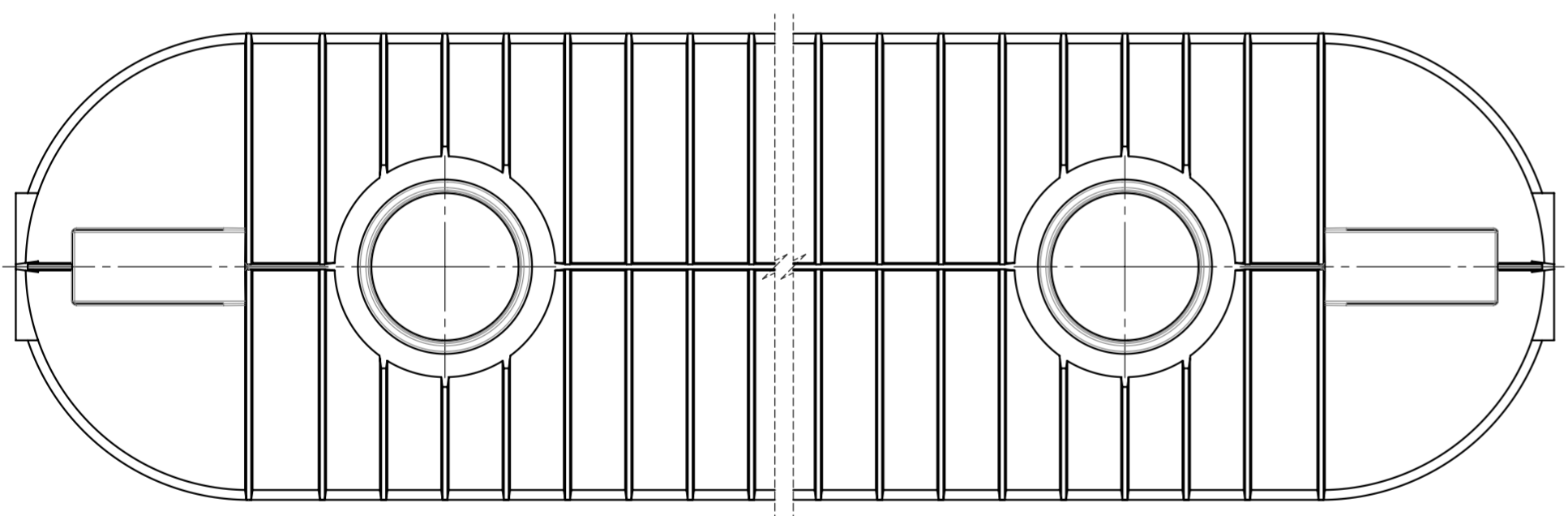
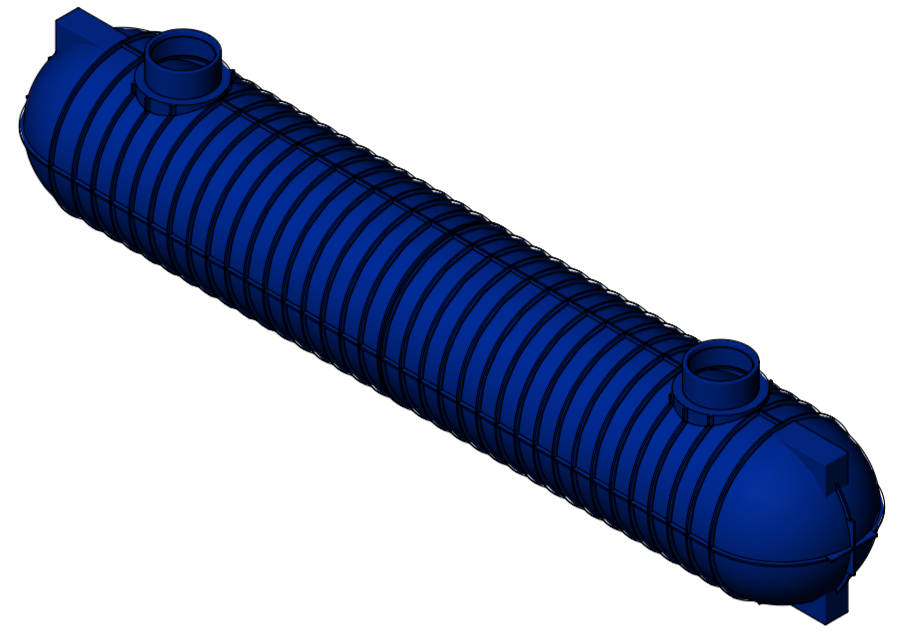
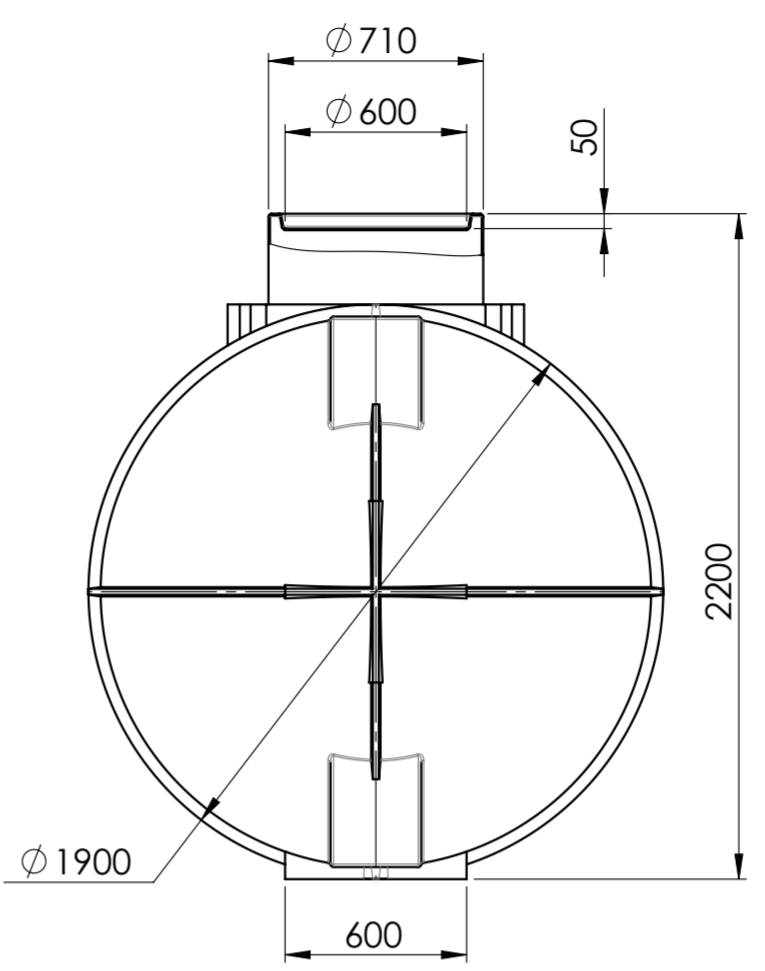
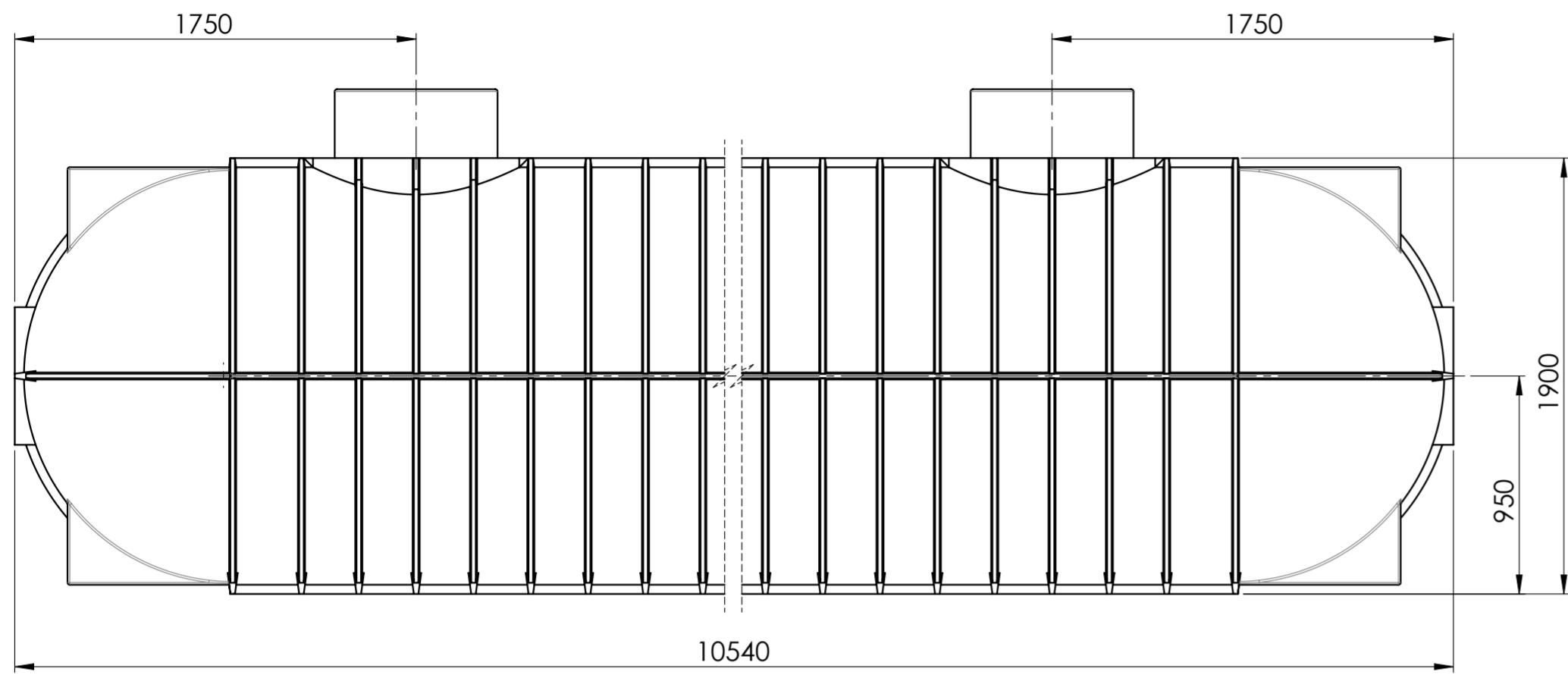


Job Customer:

Title:

Ref:



FITTINGS LAYOUT TABLE

NOZZLE No	PE SIZE	LEVEL MARK	ANGLE	DESCRIPTION
N1				
N2				
N3				
N4				
N5				
N6				
N7				
N8				

NOTES:  
1. LEVEL MARKS ARE IN m, DIMENSIONS ARE IN mm.

DATE	CLIENT APPROVAL SIGNATURE	UNLESS OTHERWISE SPECIFIED: DIMENSIONS ARE IN MILLIMETERS SURFACE FINISH: TOLERANCES: LINEAR: ANGULAR:	FINISH:	DEBURR AND BREAK SHARP EDGES	DO NOT SCALE DRAWING	REVISION
		DRAWN			TITLE: 25000L UNDERGROUND TANK (UX1925000) NOZZLES LAYOUT	
		CHK'D			DWG NO.	
		APPV'D			A2	
		MFG			SCALE: 1:25	
		Q.A.			SHEET 1 OF 1	
		MATERIAL:				
		WEIGHT:				