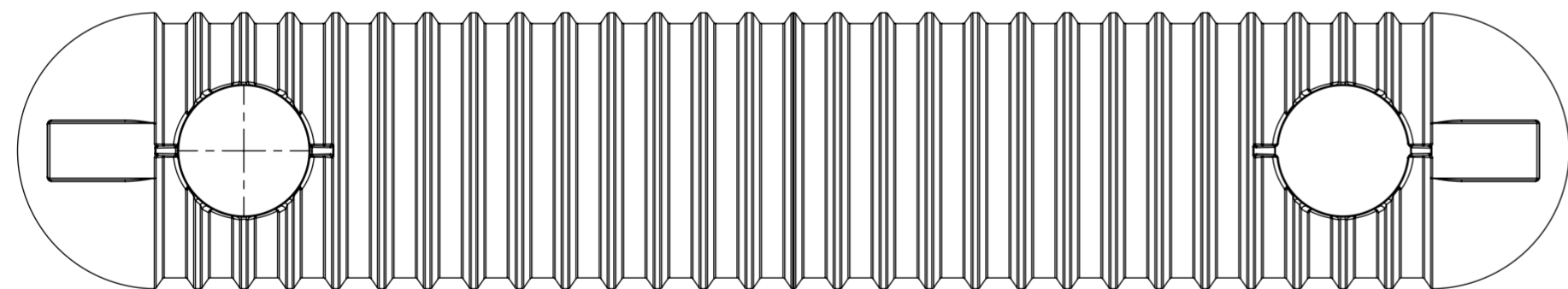
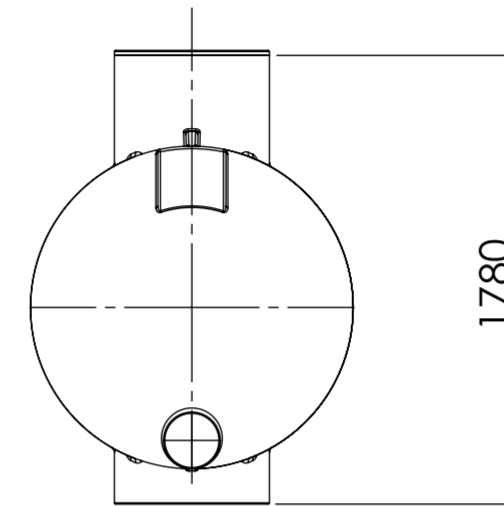
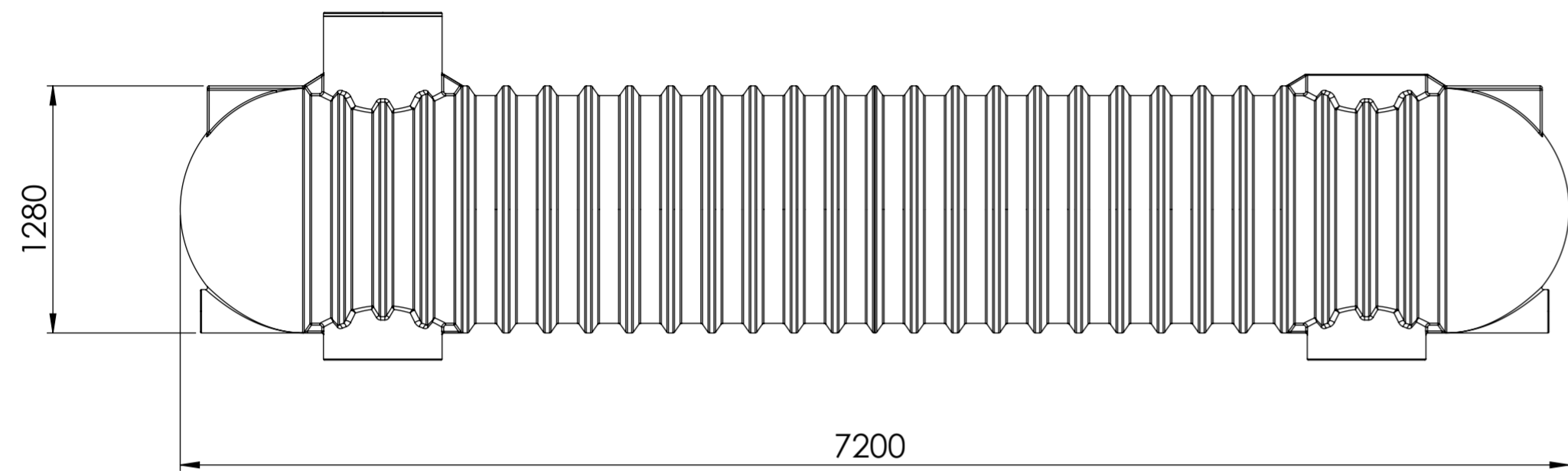


Job Customer:

Title:

Ref:

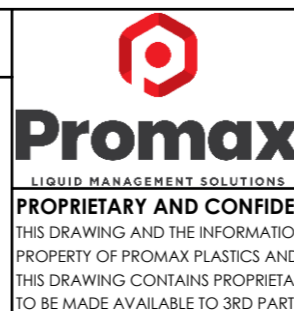


FITTING LAYOUT TABLE			PART LIST	
NOZZLE No.	DN/PE SIZE	DESCRIPTION	PART No.	NAME

**NOTE:**  
 1. ALL DIMENSIONS ARE IN mm  
 2. TOLERANCE: 3%  
 3. ANY CHANGES MARK UP IN RED

<b>CLIENT APPROVAL</b>
<input type="checkbox"/> APPROVED <input type="checkbox"/> REVISE AND RESUBMIT <input type="checkbox"/> FOR INFORMATION ONLY
DATE:

<b>SIGNATURE</b>



DO NOT SCALE DRAWING

ORIGINAL ISSUE: 28/10/2025

THIS DRAWING AND THE INFORMATION AND TECHNICAL DATA CONTAINED HEREIN ARE THE EXCLUSIVE PROPERTY OF PROMAX PLASTICS AND SHALL BE RETURNED TO THEM UPON REQUEST. THIS DRAWING CONTAINS PROPRIETARY AND CONFIDENTIAL INFORMATION FOR THIS PROJECT AND IS NOT TO BE MADE AVAILABLE TO 3RD PARTIES WITHOUT THE EXPRESS WRITTEN CONSENT OF PROMAX PLASTICS.

OPP:

AUTHOR: B.H.

MATERIAL: LLDPE

WEIGHT:

DISPLAY NAME/NUMBER:  
 XPRESS Underground Tank 9,000 Ltr 1.2M Dia (UX1209000)

DWG NO. MODIFICATION PLAN **A2**

SCALE:1:30 SHEET 1 OF 1