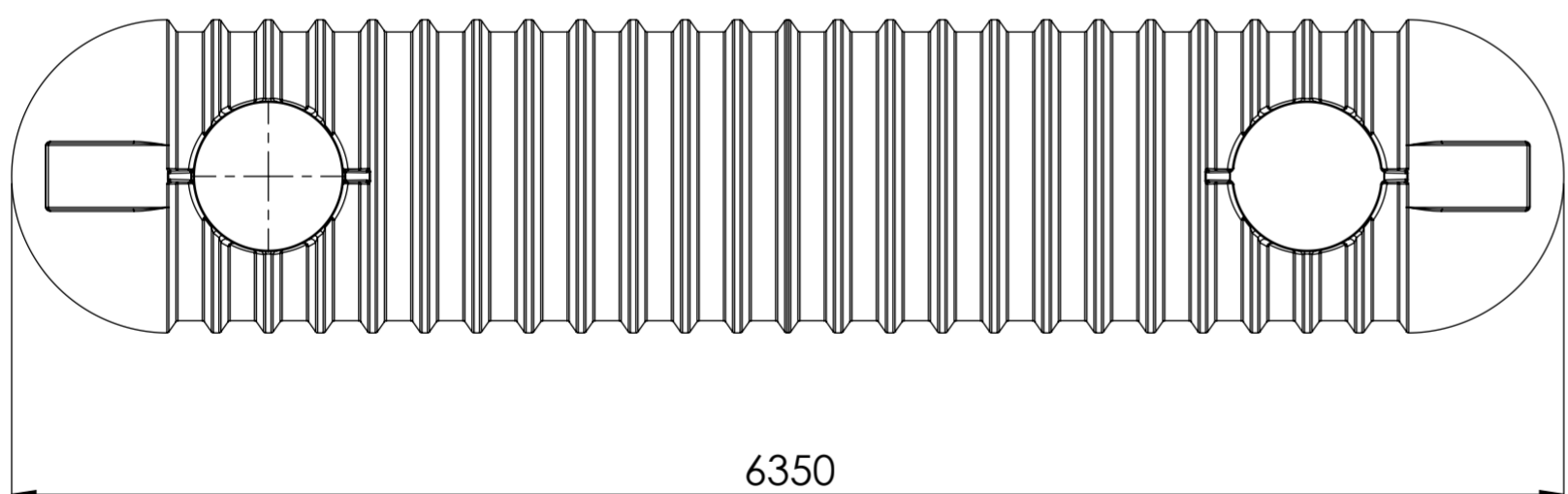
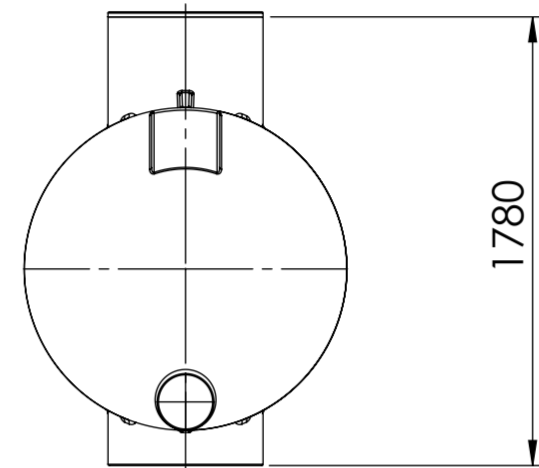
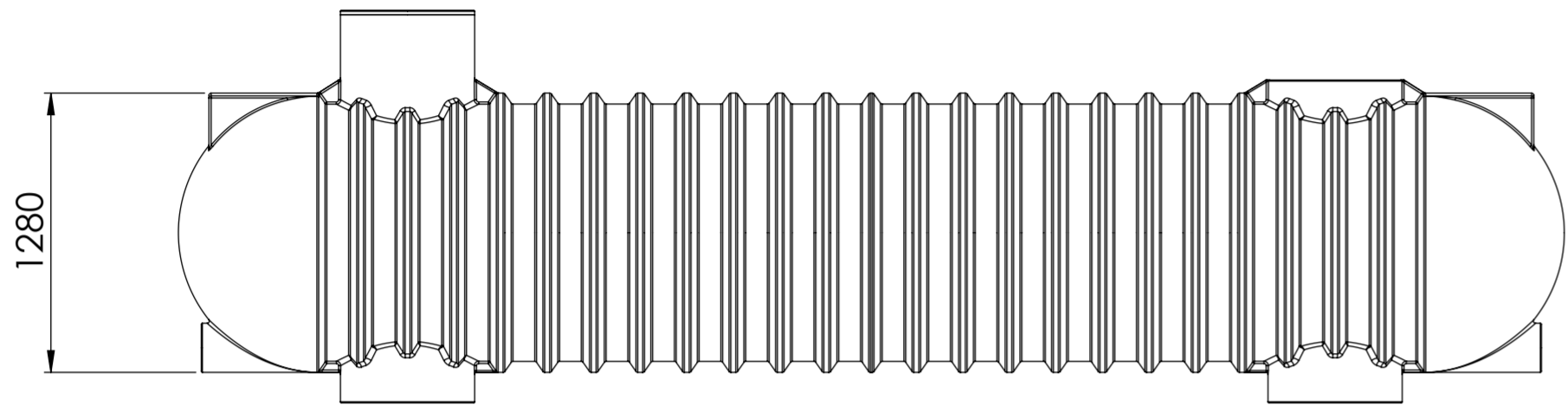


Job Customer:

Title:

Ref:

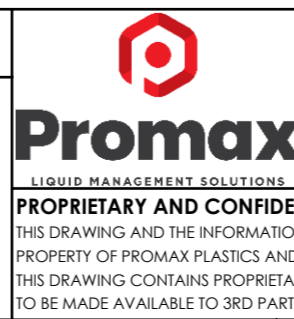


FITTING LAYOUT TABLE			PART LIST	
NOZZLE No.	DN/PE SIZE	DESCRIPTION	PART No.	NAME

**NOTE:**  
 1. ALL DIMENSIONS ARE IN mm  
 2. TOLERANCE: 3%  
 3. ANY CHANGES MARK UP IN RED

<b>CLIENT APPROVAL</b>
<input type="checkbox"/> APPROVED <input type="checkbox"/> REVISE AND RESUBMIT <input type="checkbox"/> FOR INFORMATION ONLY
DATE:

<b>SIGNATURE</b>



DO NOT SCALE DRAWING
ORIGINAL ISSUE: 28/10/2025

OPP:
AUTHOR: B.H.
MATERIAL: LLDPE
WEIGHT:

DISPLAY NAME/NUMBER: XPRESS Underground Tank 8,000 Ltr 1.2M Dia (UX1208000)
DWG NO. MODIFICATION PLAN <b>A2</b>
SCALE:1:30 SHEET 1 OF 1