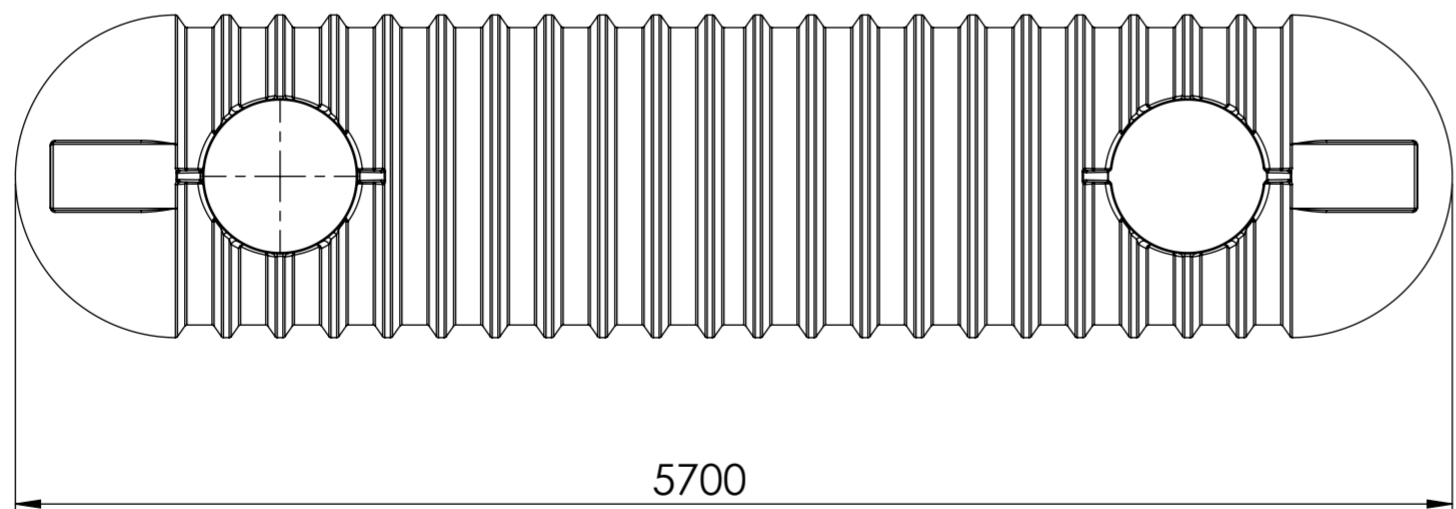
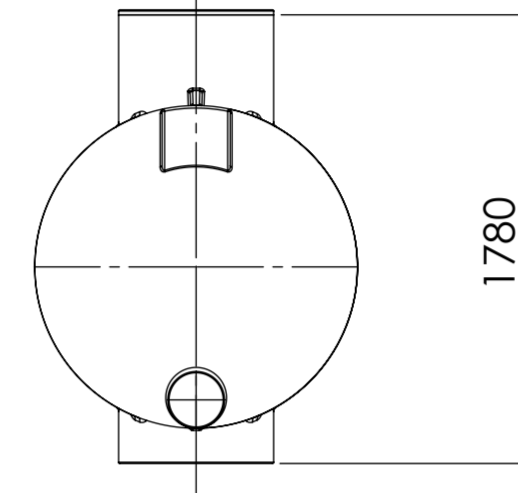
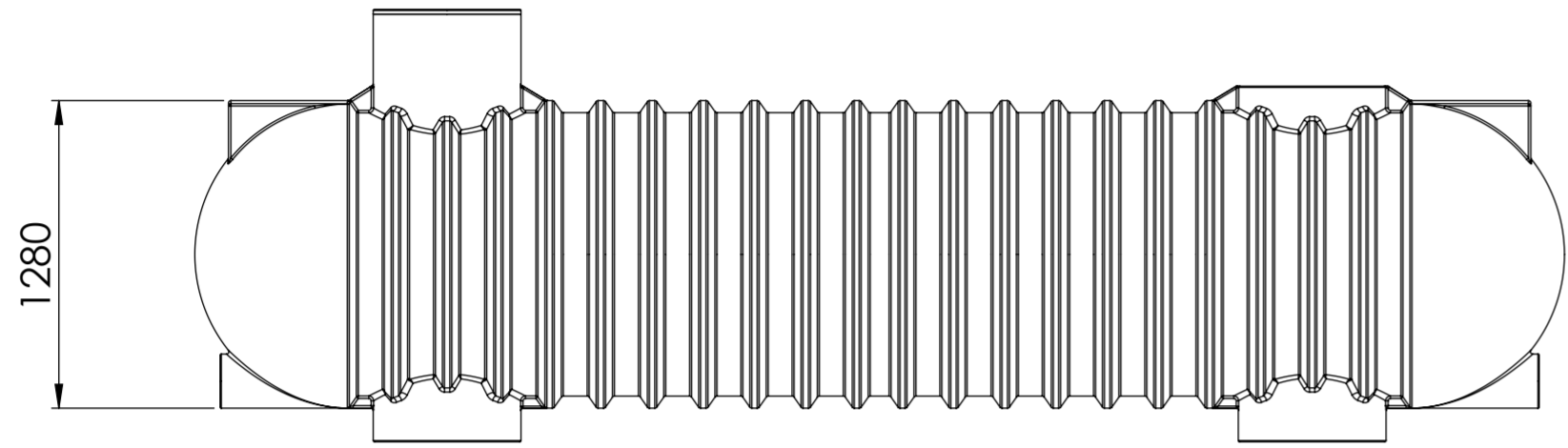


Job Customer:

Title:

Ref:

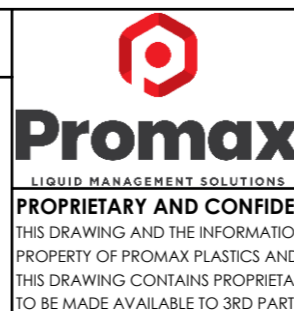


FITTING LAYOUT TABLE			PART LIST	
NOZZLE No.	DN/PE SIZE	DESCRIPTION	PART No.	NAME

NOTE:
 1. ALL DIMENSIONS ARE IN mm
 2. TOLERANCE: 3%
 3. ANY CHANGES MARK UP IN RED

CLIENT APPROVAL
<input type="checkbox"/> APPROVED <input type="checkbox"/> REVISE AND RESUBMIT <input type="checkbox"/> FOR INFORMATION ONLY
DATE:

SIGNATURE



DO NOT SCALE DRAWING
 ORIGINAL ISSUE: 28/10/2025

OPP:
 AUTHOR: B.H.
 MATERIAL: LLDPE

DISPLAY NAME/NUMBER:
 XPRESS Underground Tank 7,000 Ltr 1.2M Dia (UX1207000)
 DWG NO. MODIFICATION PLAN A2
 SCALE:1:30 SHEET 1 OF 1