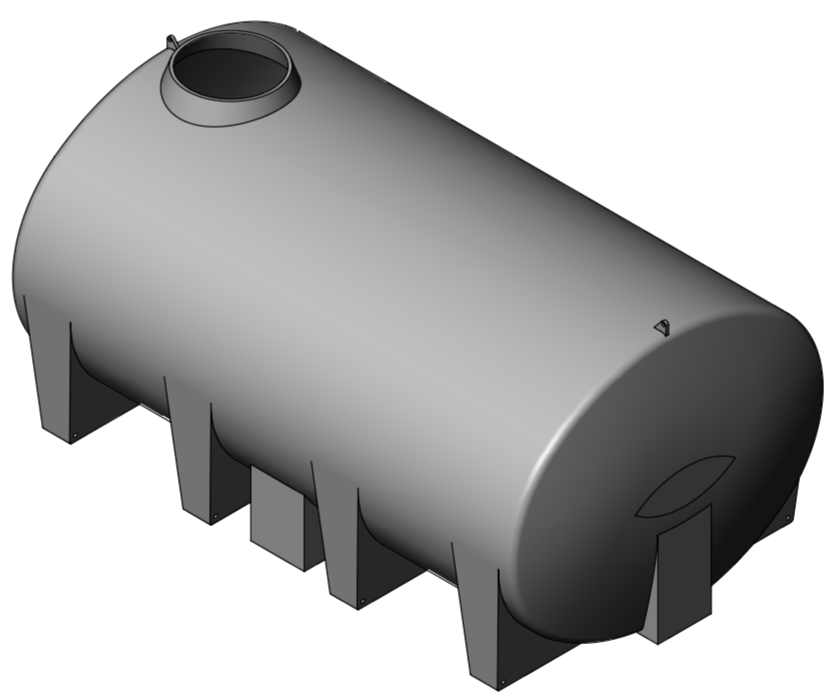
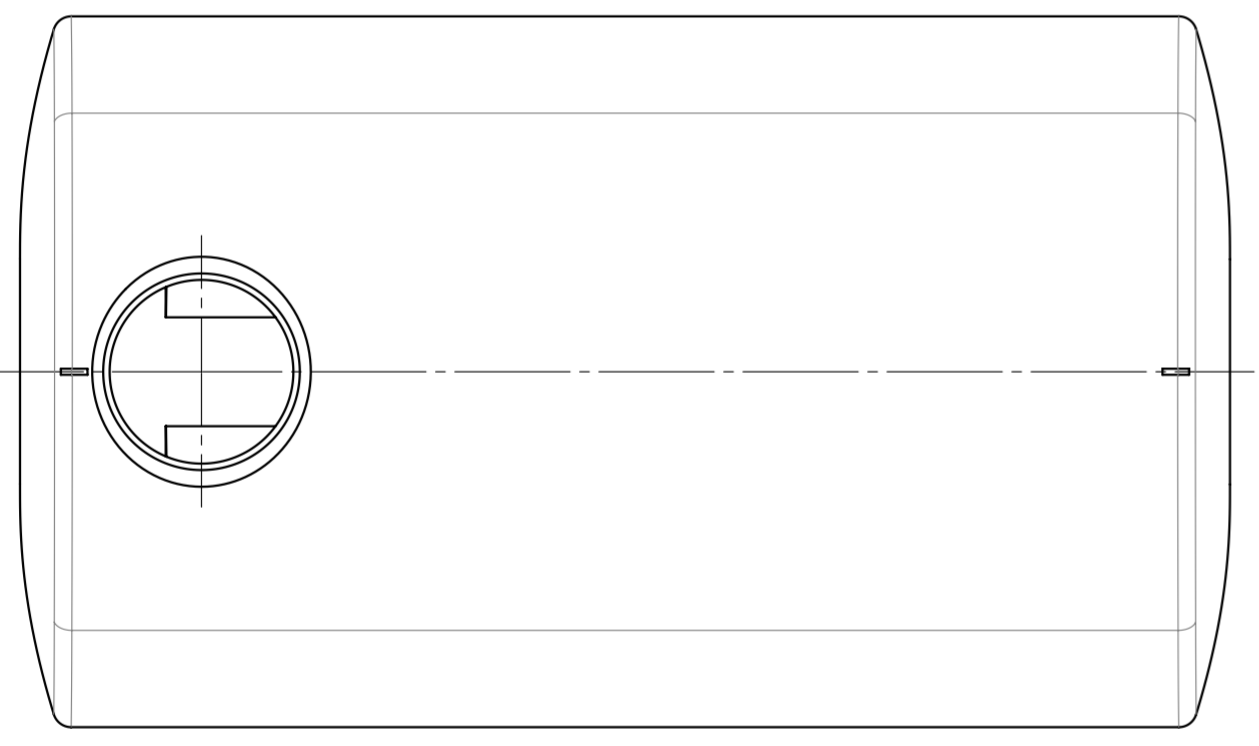
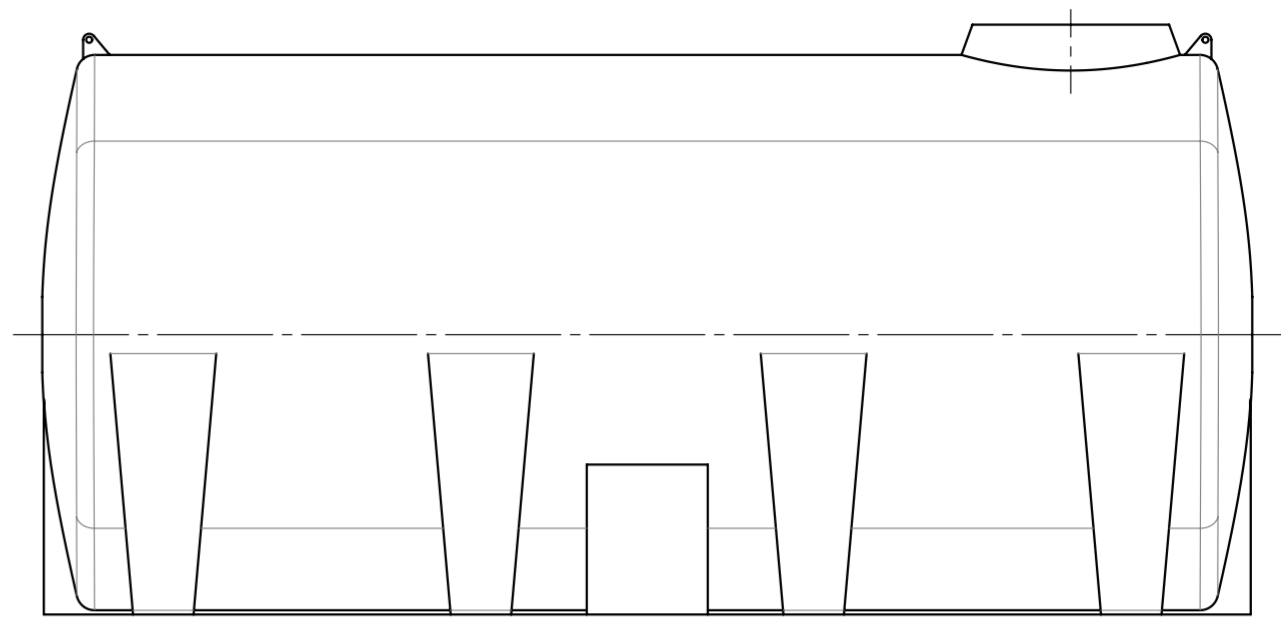
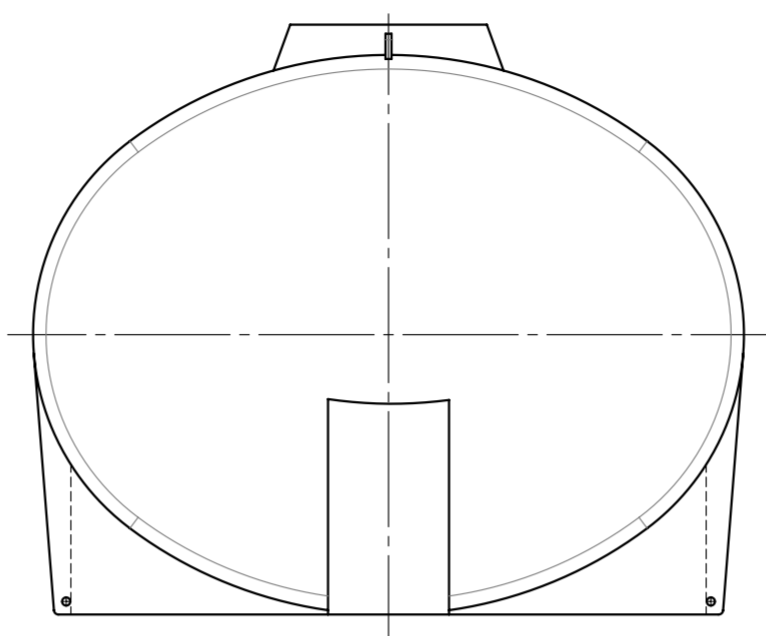
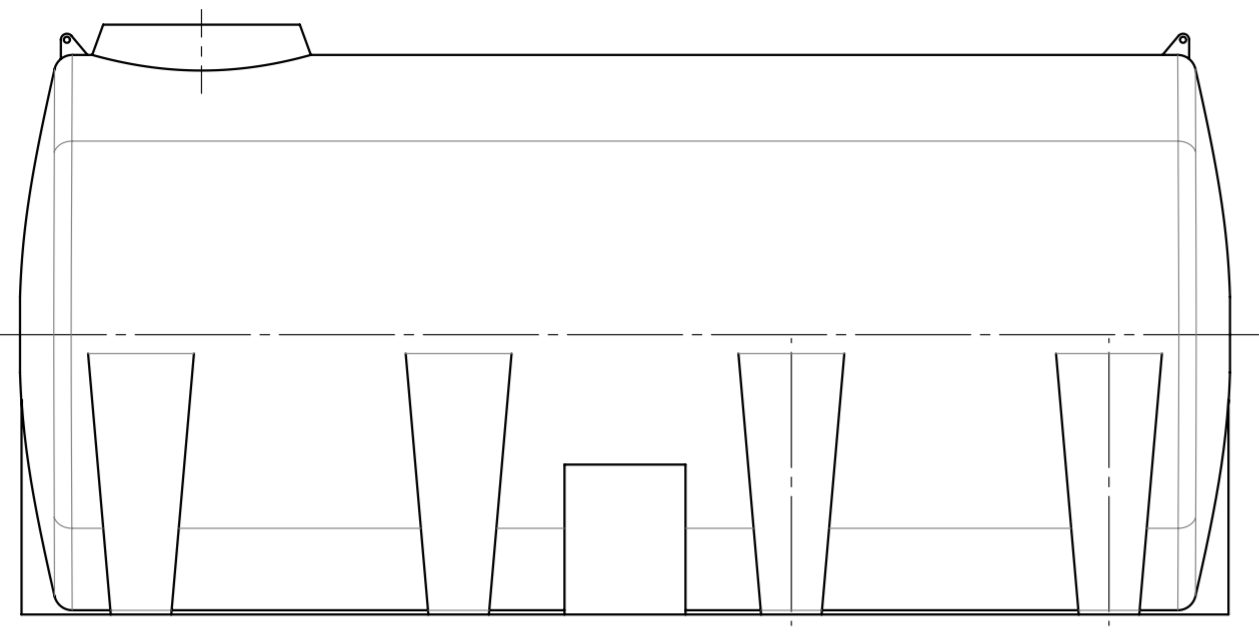


Job Customer:

Title:

Ref:

H
G
F
E
D
C
B
A



FITTINGS LAYOUT TABLE		
NOZZLE No	PE SIZE	DESCRIPTION
N1		
N2		
N3		
N4		

NOTES:

DATE	CLIENT APPROVAL SIGNATURE	UNLESS OTHERWISE SPECIFIED: DIMENSIONS ARE IN MILLIMETERS SURFACE FINISH: TOLERANCES: LINEAR: ANGULAR:	FINISH:	DEBURR AND BREAK SHARP EDGES	DO NOT SCALE DRAWING	REVISION
		DRAWN	NAME	SIGNATURE	DATE	TITLE: TRANSPORT TANK NOZZLES LAYOUT
		CHK'D				
		APPV'D				
		MFG				
		Q.A.				
		MATERIAL:			DWG NO.	A2
		WEIGHT:			SCALE: 1:25	SHEET 1 OF 1