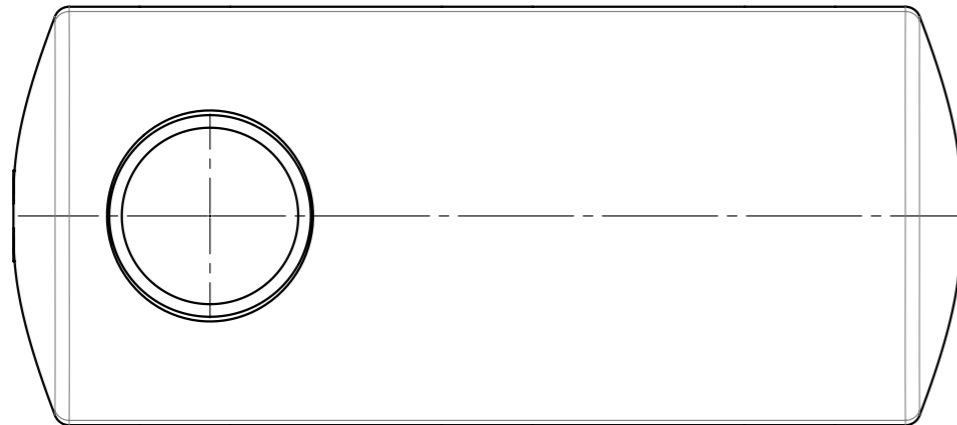
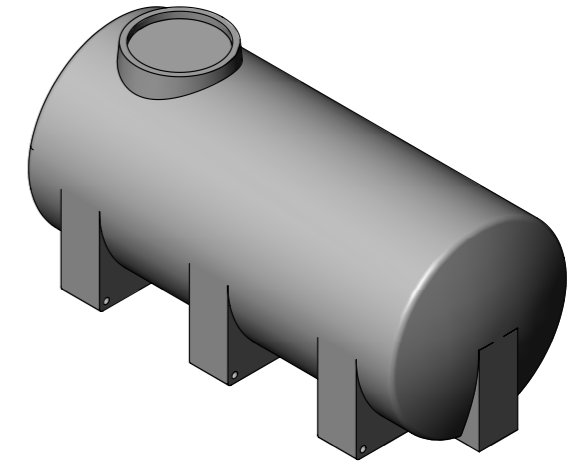
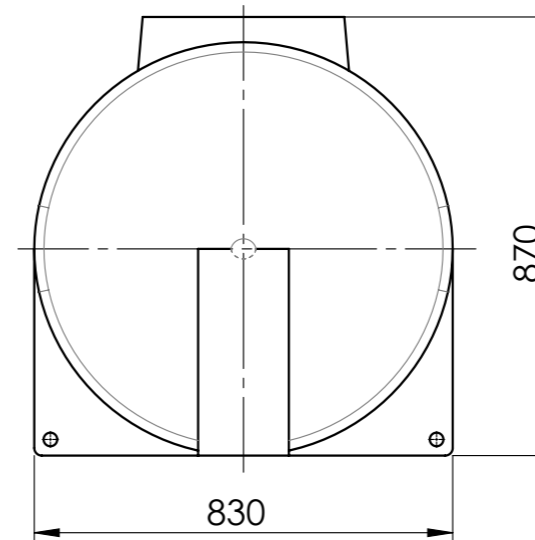
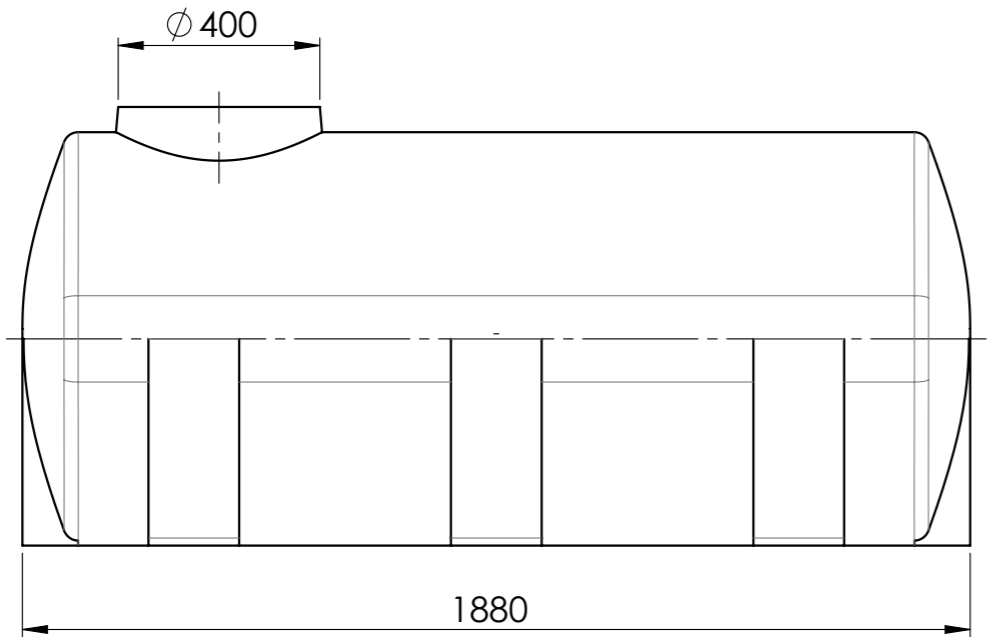


Job Customer:

Title:


Ref:



FITTINGS LAYOUT TABLE			
NOZZLE No	PE SIZE	ANGLE	DESCRIPTION
N1			
N2			
N3			
N4			
N5			

NOTES:

1. LEVEL MARKS ARE IN m, DIMENSIONS ARE IN mm.

UNLESS OTHERWISE SPECIFIED: DIMENSIONS ARE IN MILLIMETERS SURFACE FINISH: TOLERANCES: LINEAR: ANGULAR:				FINISH:		DEBUR AND BREAK SHARP EDGES		DO NOT SCALE DRAWING		REVISION	
								 ENGINEERED PLASTICS			
								TITLE: 900L FREE-STANDING TRANSPORT TANK NOZZLES LAYOUT			
								DWG NO.		A3	
						WEIGHT:		SCALE:1:15		SHEET 1 OF 1	