

APPLICATIONS

RainBank rainwater harvesting system is ideal for:-

- > Metropolitan rainwater harvesting on homes
- > Toilet blocks
- > Garden irrigation



Rainwater Harvesting System

Model Number: KRBCABS1/20, KRBCABS2/20, KRBCAB1, KRBCAB1F

Packaged rainwater harvesting system, incorporating RainBank dual source controller, specifically designed to source rainwater for applications such as toilets and/or laundry, with automatic mains water back-up.

The system includes filtration and stop valves for reliability, and comes packed into a neat lockable metal cabinet.

WHY CHOOSE THE DAVEY RainBank RAINWATER HARVESTING SYSTEM?

- All factory assembled and tested in a lockable metal cabinet for a neat and professional presentation
- Simple to install with no adjustment necessary, saving time and money at installation
- RainBank automatically switches between rainwater and mains water supply, so there is no need for consumer intervention
- Feedback lights to indicate water source and faults
- Incorporates easily with new and existing buildings, for convenient installation
- Unique patented, yet uncomplicated technology, providing a dependable solution to rainwater harvesting
- No solenoid valves used
- Very low standby power – only 0.5 watts
- Provides seamless mains back-up in the event of no rainwater or electrical interruptions, for consumer convenience and comfort
- Built-in backflow protection valve (dual check valve) in compliance with the requirements of AS/NZS 3500-1-2003 for added safety and assured protection of your mains water supply
- Incorporates pre and post filtration to ensure reliability and high water quality
- Comes with a choice of D42A/B20 and D53A/B20 submersible pumps or HP45-05 surface pump

OPERATING LIMITS

Max. flow rate (mains) @ 200kPa	63lpm
Max. flow rate (pump) @ 200kPa	63lpm
Max. Mains water pressure	900kPa
Max. pump pressure	450kPa
Max. pump amps	10 amps
Max. continuous water temperature	50°C
Min. water temperature	1°C
Max. ambient temperature	50°C
Mains water inlet size	3/4" BSP(M)
Rainwater inlet size	1" BSP(M)
Outlet size	3/4" BSP(M)

ELECTRICAL DATA

Supply voltage	220-250V		
Supply frequency	50Hz		
Max. full load current	10A		
Enclosure class (cabinet)	IP56		
Pump supply lead	20m		
Input power (pump)	D42A/B	D53A/B	HP45-05
	0.94kW	1.31kW	0.55kW

PUMP PERFORMANCE

Pump model	Pump flow rate @200kpa	Mains flow rate @200kPa
Surface Mounted – Top Entry Float		
HP45-05	40 lpm	63 lpm
Submersible Float		
D42A/B	40 lpm	63 lpm
D53A/B	63 lpm	63 lpm

MATERIALS OF CONSTRUCTION

PART	MATERIAL
RB2/S	
See RainBank datasheet (DWP0083-4)	
Cabinet	
1.0mm zincanneal powder coated beige	
Mains water plumbing	
3/4" compression fitting	DR brass WaterMark approved
3/4" butterfly isolation valve	DR brass WaterMark approved
3/4" 250 micron Y strainer	DR brass WaterMark approved
3/4" elbow	DR brass WaterMark approved
Rainwater plumbing	
1" 120 micron Y strainer	Polypropylene
Delivery plumbing	
3/4" x 10" cartridge housing	Glass filled polypropylene
10" filter element	Polypleated carbon impregnated 10 micron
3/4" elbow	DR brass WaterMark approved
3/4" x 190mm braided hose	Silicone lined stainless steel
Submersible pump	
See D42A/B & D53A/B datasheet (DPM128)	

APPROVALS

Complies with electrical standards:
AS/NZS60335.2.41: 2004 Clause 24

Certificate of electrical suitability A/10E

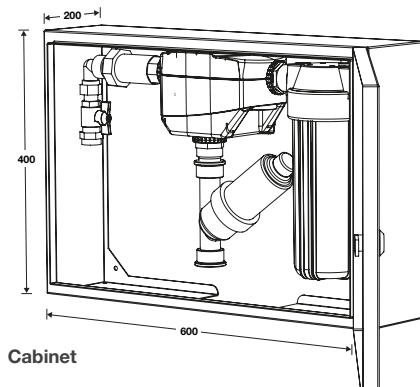
Complies with plumbing standards:
AS/NZS3500-1-2003 including provision of backflow protection when installed in compliance with product Installation & Operating Instructions.

Watermark License WMKA22042 for RainBank.

Must be installed by a licensed plumber.

DIMENSIONS (MM)

Model	A	B	C	D	E	F	Outlet B.S.P.	Net Weight (kg)
D42A/B	475	130	370	235	195	330	1" F	18.5
D53A/B	535	170	430	235	195	330	1" F	19.5
Model	Mounting Holes Diameter					Inlet B.S.P.	Outlet B.S.P.	Net Weight (kg)
HP45-05	10 @ 140 centres					1 1/4" F	1" F	8.0



D42A/B & D53A/B

