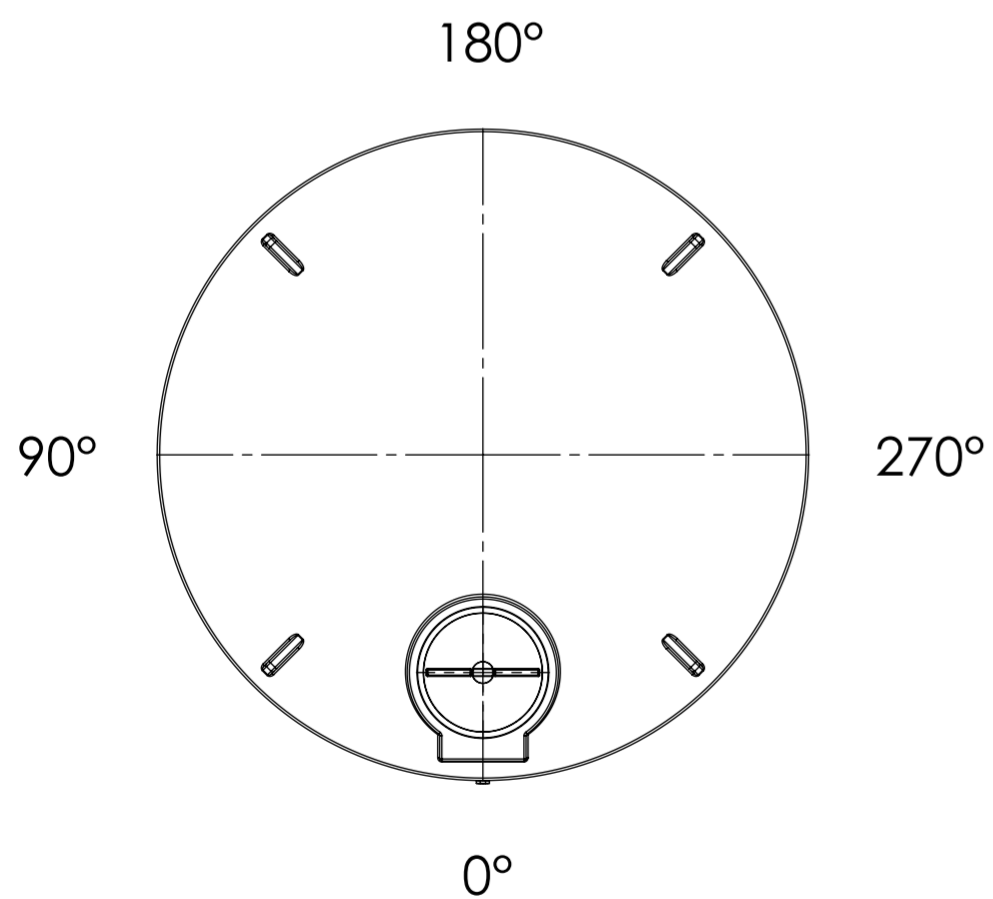
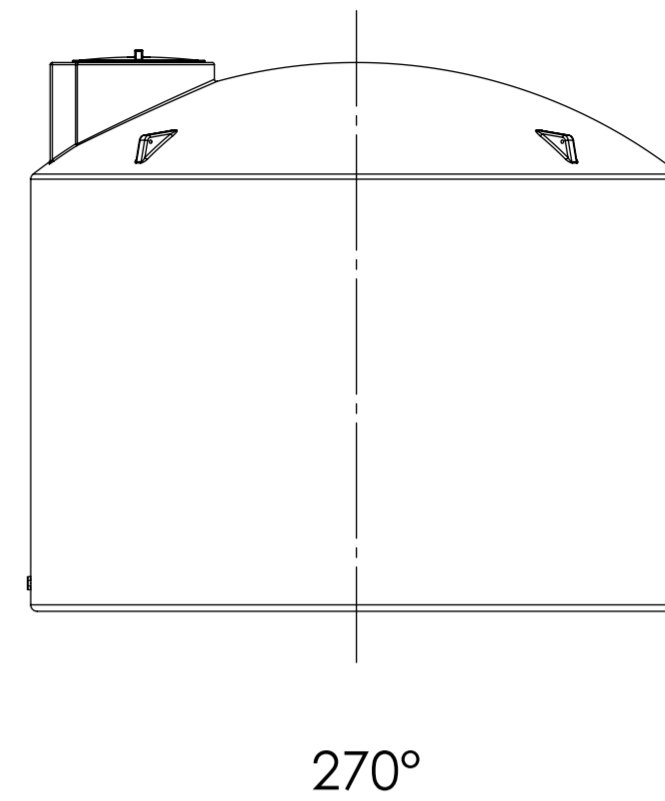
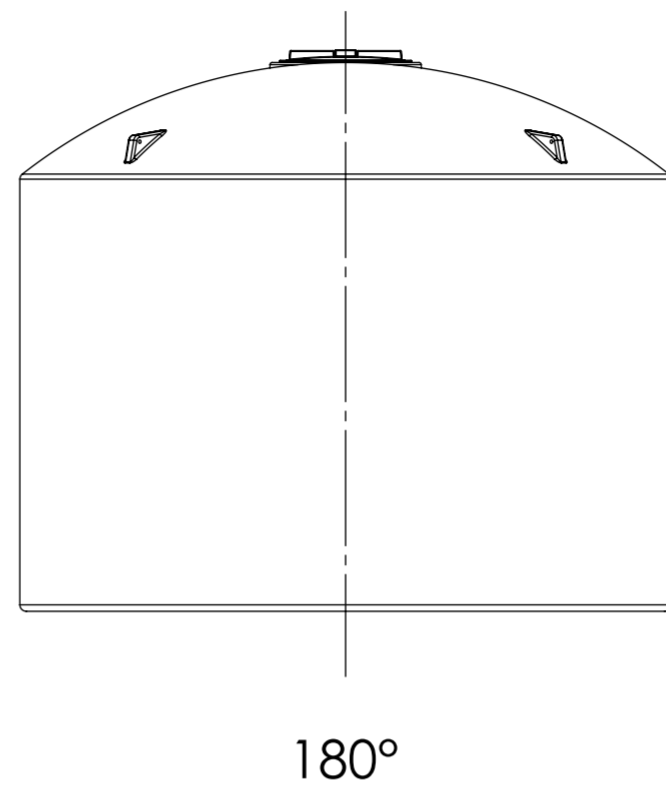
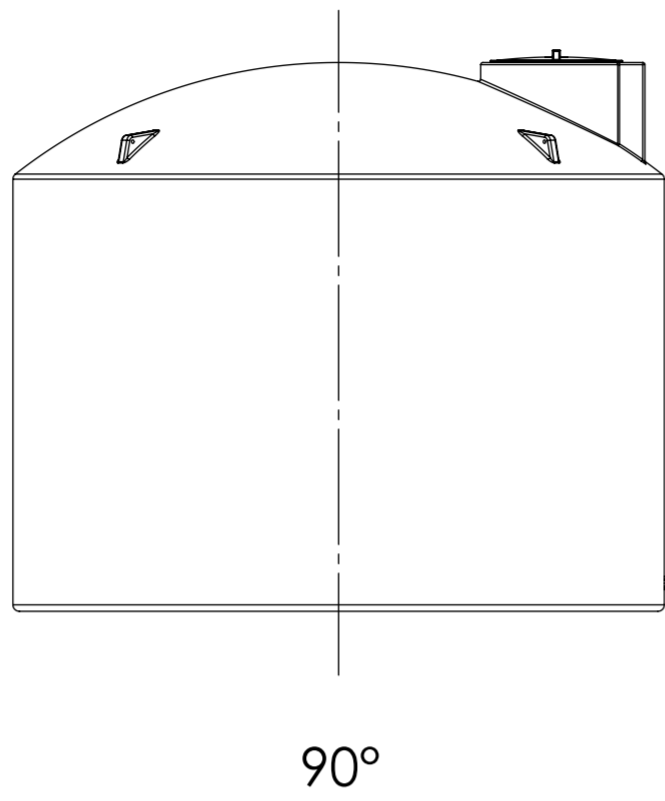
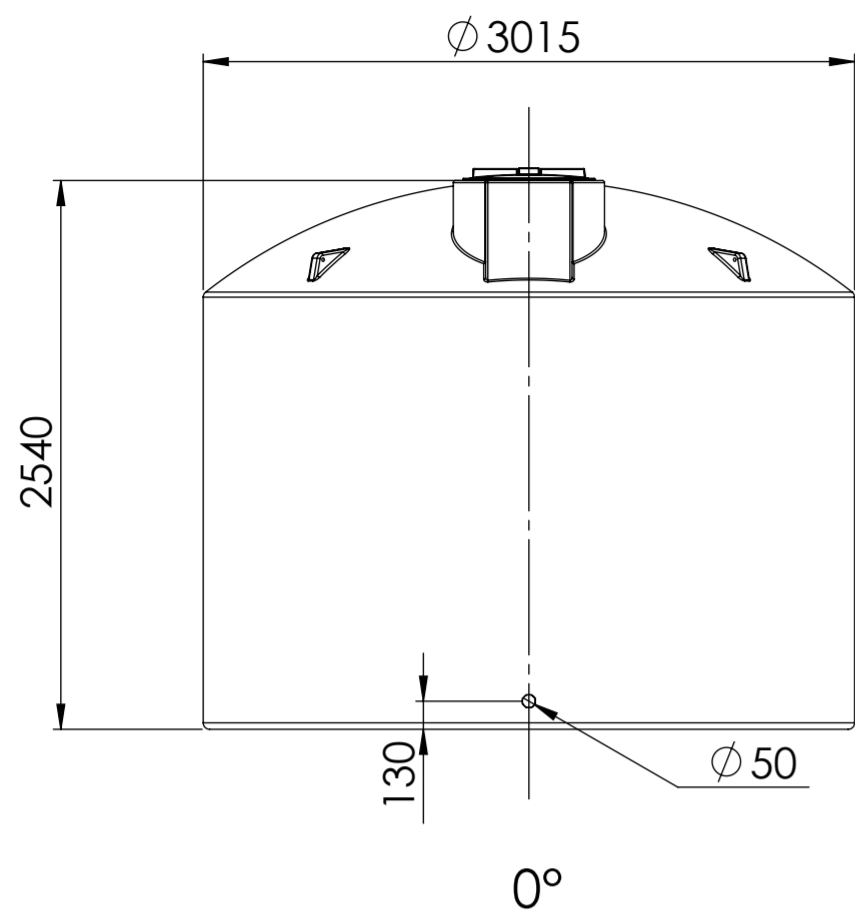


Job Customer:

Title:

Ref:



FITTING LAYOUT TABLE				PART LIST	
NOZZLE No.	DN/PE SIZE	ANGLE	DESCRIPTION	PART No.	NAME
N1	50/-	0°			(Mould in, 50mm Female)

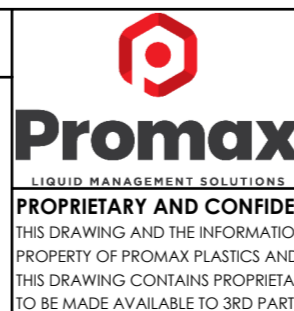
**NOTE:**  
 1. ALL DIMENSIONS ARE IN mm  
 2. TOLERANCE: 3%  
 3. ANY CHANGES MARK UP IN RED

**CLIENT APPROVAL**

APPROVED  
 REVISE AND RESUBMIT  
 FOR INFORMATION ONLY

DATE:

**SIGNATURE**



DO NOT SCALE DRAWING

ORIGINAL ISSUE: 20/11/2023

OPP:

AUTHOR: B.H.

MATERIAL: LLDPE

WEIGHT: 265

DISPLAY NAME/NUMBER:  
 XPRESS Water Tank  
 15,000 Ltr-North Island  
 (XP1015000)

DWG NO.  
 MODIFICATION PLAN

SCALE: 1:35

SHEET 1 OF 1

A2