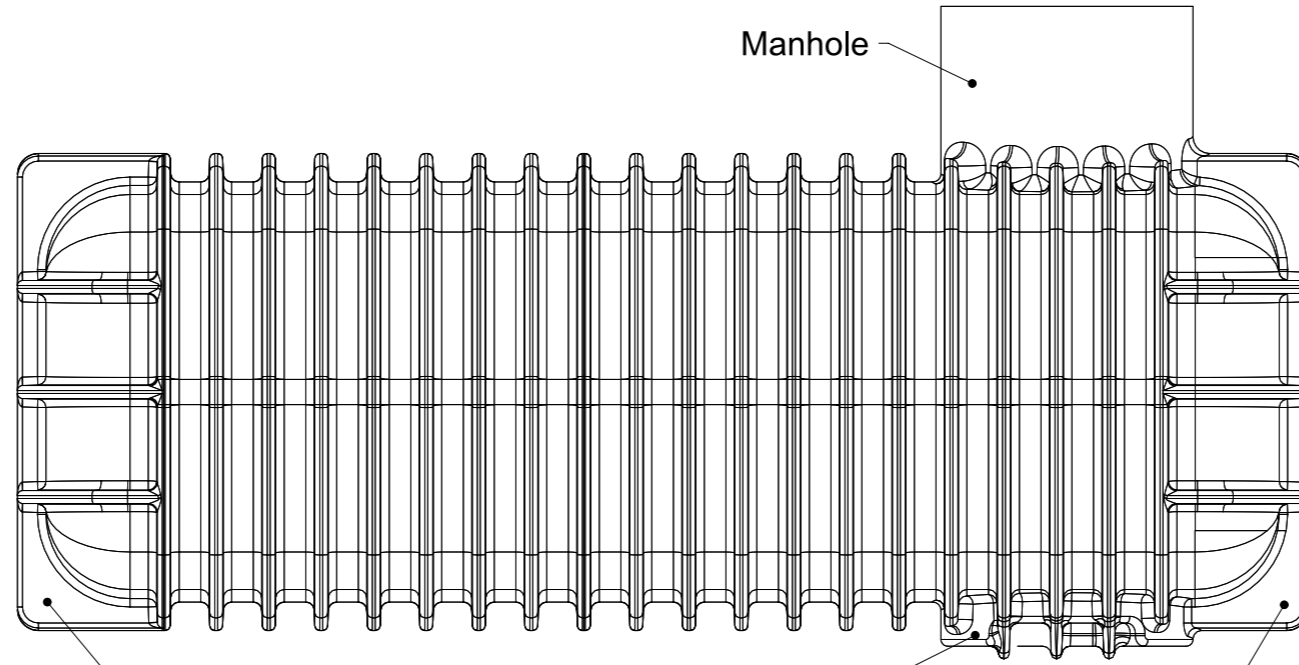
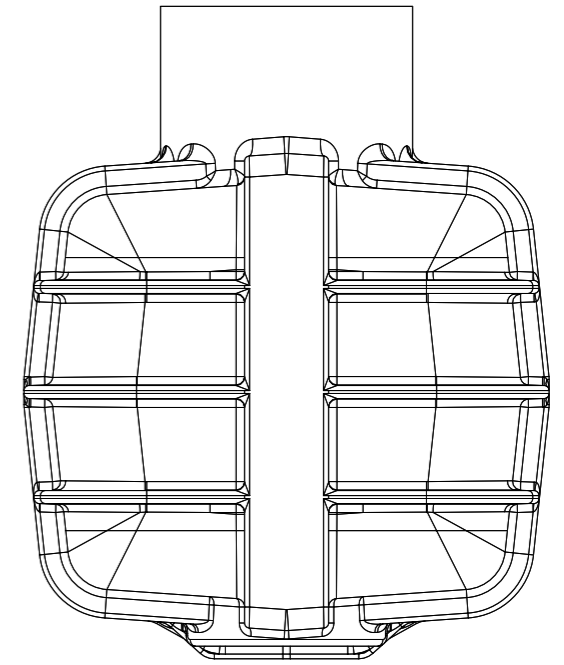


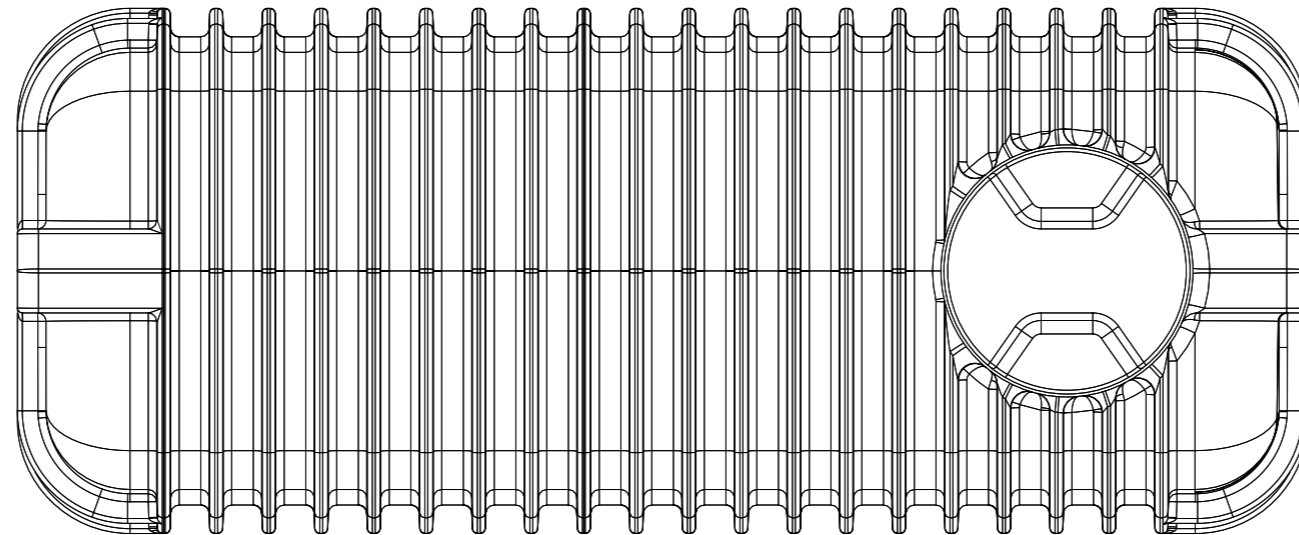
"South" View



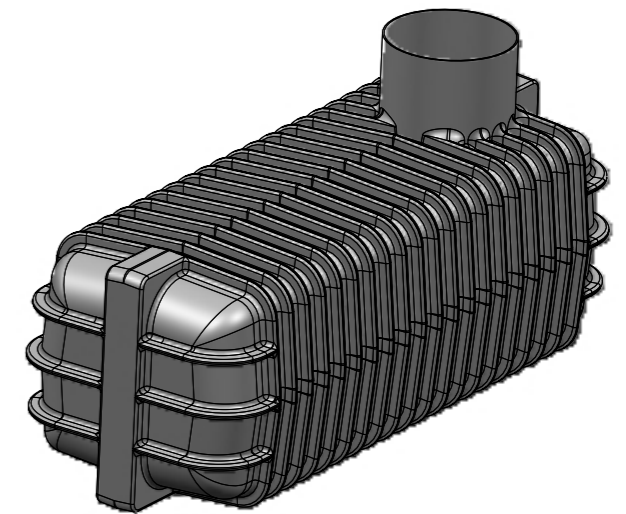
Side View



"North" View



Top View



Fitting Layout Tables

Noz. No	PE Size	Level Mark	Angle	Description
N1				
N2				
N3				
N4				
N5				
N6				
N7				
N8				



THIS DOCUMENT (AND THE INFORMATION SHOWN THEREON) IS CONFIDENTIAL AND PROPRIETARY AND SHALL NOT BE DISCLOSED TO OTHERS IN HARD COPY OR ELECTRONIC FORM, REPRODUCED BY ANY MEANS, OR USED FOR ANY PURPOSE WITHOUT WRITTEN CONSENT OF PROMAX PLASTICS LIMITED.

UNLESS OTHERWISE SPECIFIED THE INFORMATION WITHIN THIS TITLE BLOCK SHALL APPLY	
DIMENSIONS ARE IN: MM UNSPECIFIED DIMS IN 3D * DIMENSIONS FOR REFERENCE	CAGE CODE -
MATERIAL -	
FINISH -	

DES BY	A.P.	23 AUG 2021	
DRAWN BY			
CHECK BY			
APPR BY	J.A.	23 AUG 2021	
TITLE <b>Underground Tank (PMXUT / PMXUS) NOZZLES LAYOUT</b>			
SIZE	DWG NO		REV
<b>A3</b>		-	-
SCALE	1:20	MASS	UNSP
SHEET	1 OF 1		