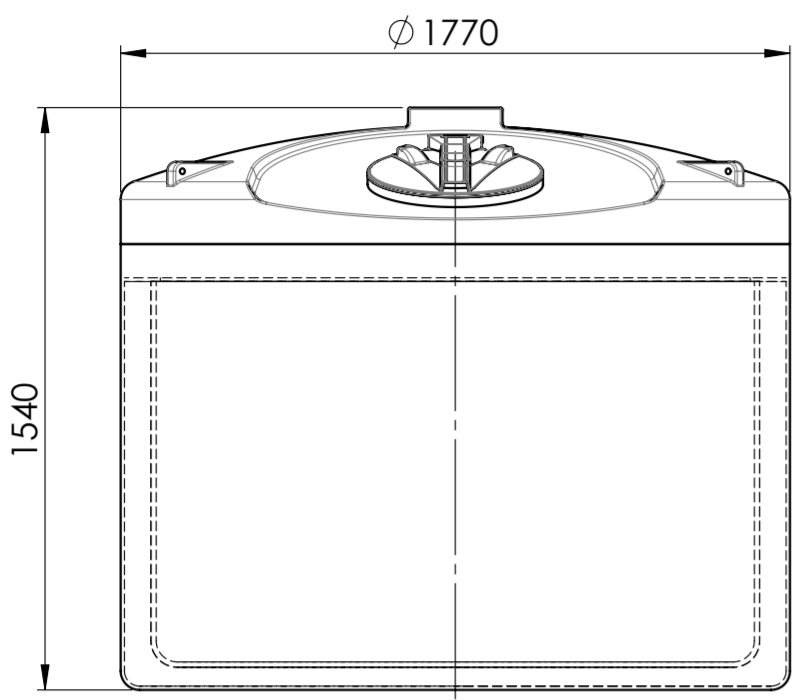


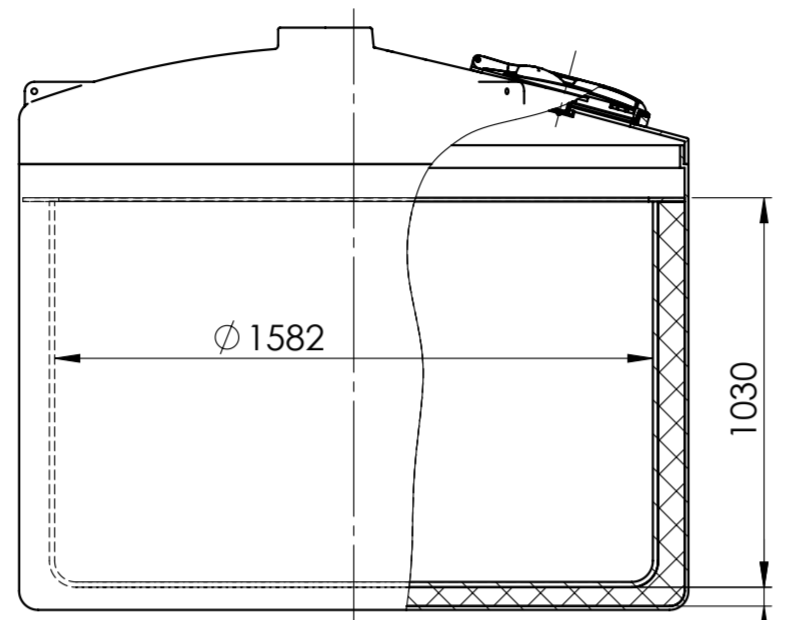
Job Customer:

Title:

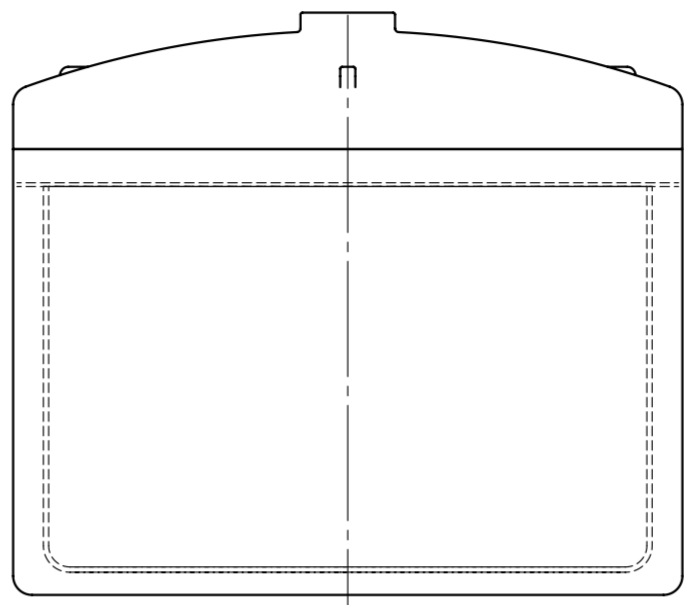
Ref:



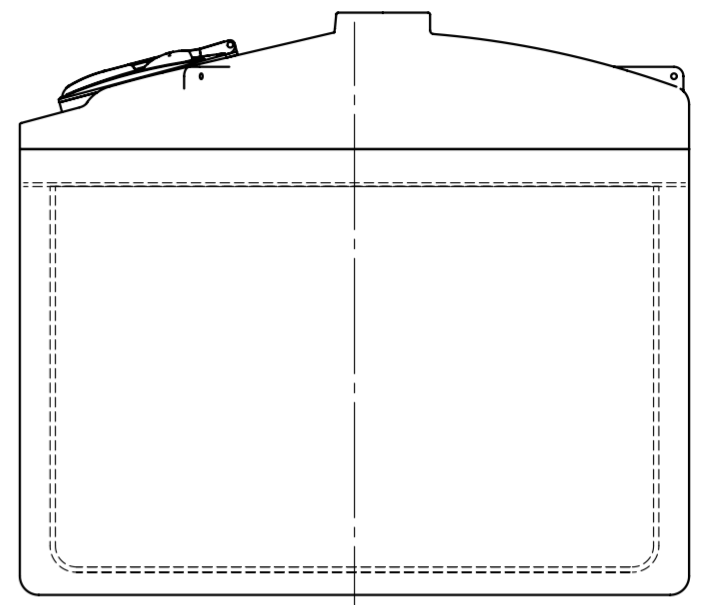
0°



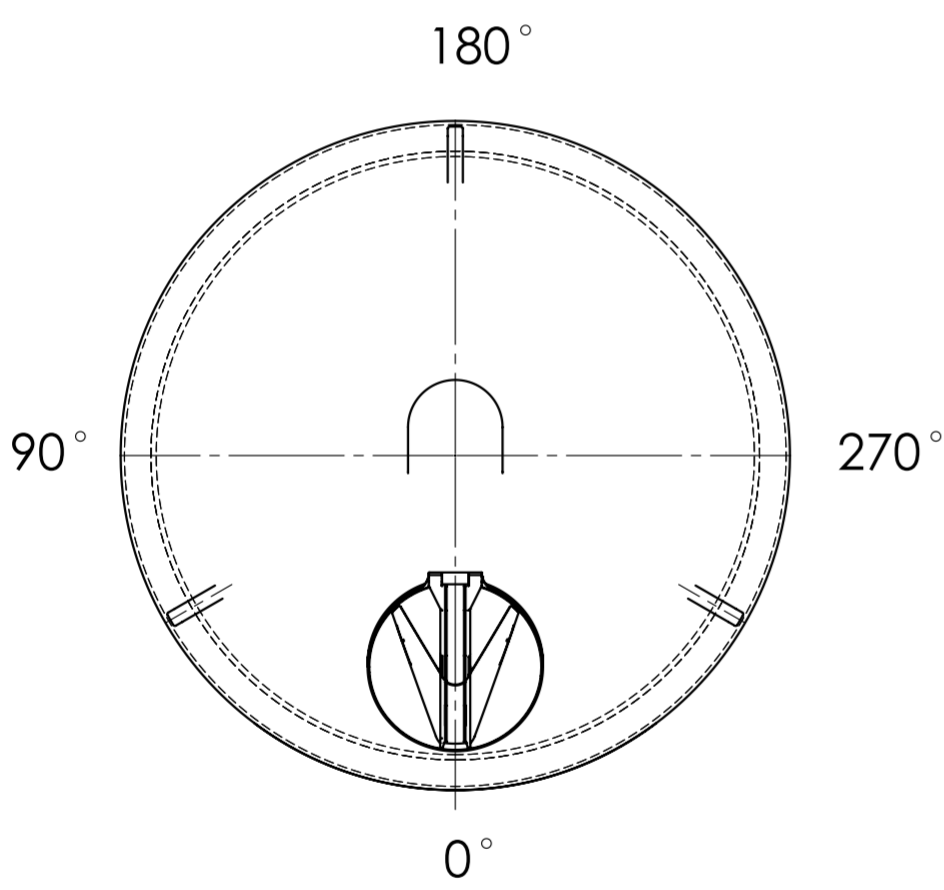
90°



180°



270°



180°

90°

270°

0°



FITTINGS LAYOUT TABLE

NOZZLE No	DN/PE SIZE	ANGLE	DESCRIPTION
N1			
N2			
N3			
N4			
N5			
N6			
N7			
N8			

NOTES:

DATE	CLIENT APPROVAL SIGNATURE	UNLESS OTHERWISE SPECIFIED: DIMENSIONS ARE IN MILLIMETERS		FINISH:		DEBURR AND BREAK SHARP EDGES		DO NOT SCALE DRAWING		REVISION
		SURFACE FINISH:		TOLERANCES:		LINEAR:		ANGULAR:		
		NAME	SIGNATURE	DATE						
		DRAWN						TITLE: 2000L INSULATED TANK NOZZLES LAYOUT		
		CHK'D						DWG NO. BDR202000		
		APPV'D						SCALE: 1:20		A2
		MFG						SHEET 1 OF 1		
		Q.A.						REVO		
								WEIGHT:		