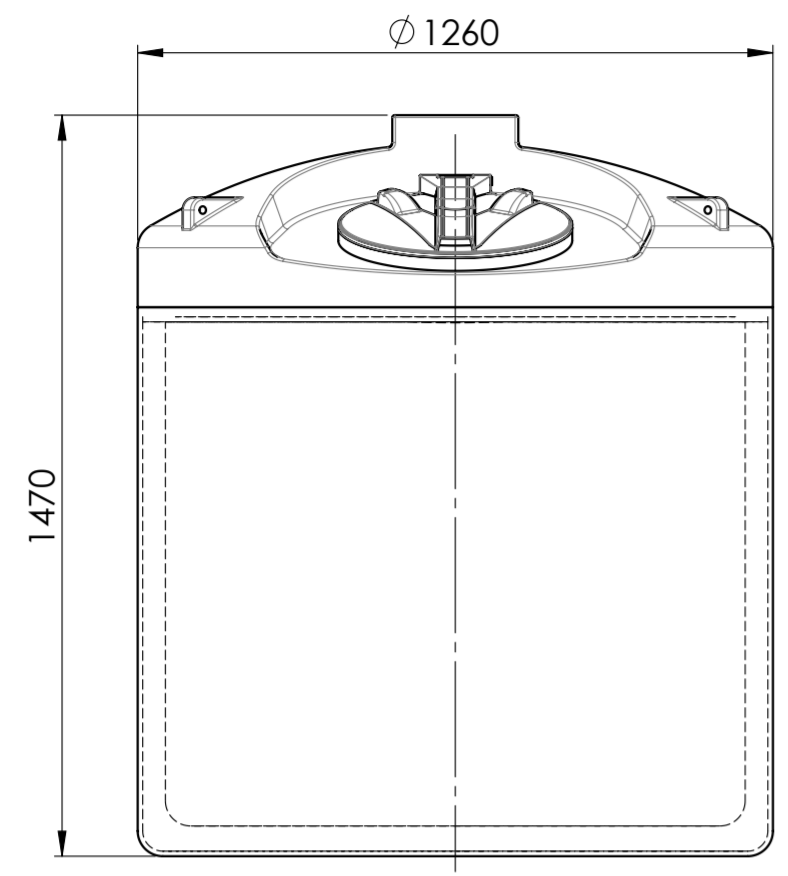


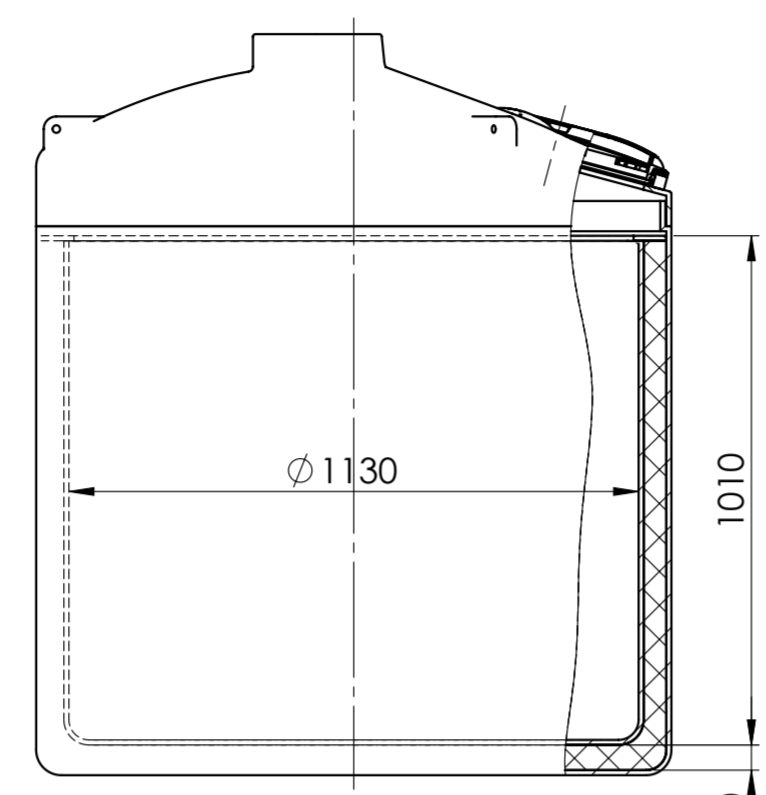
Job Customer:

Title:

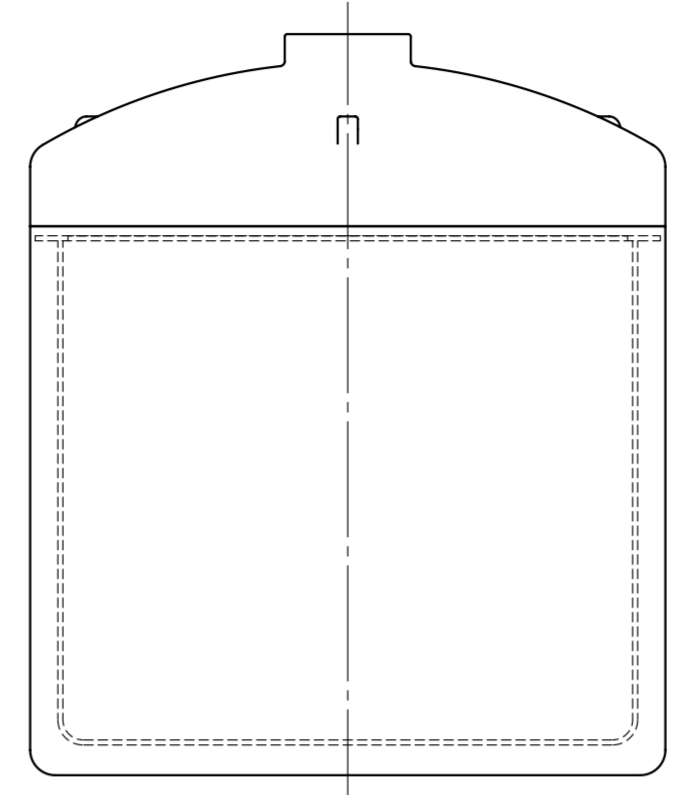
Ref:



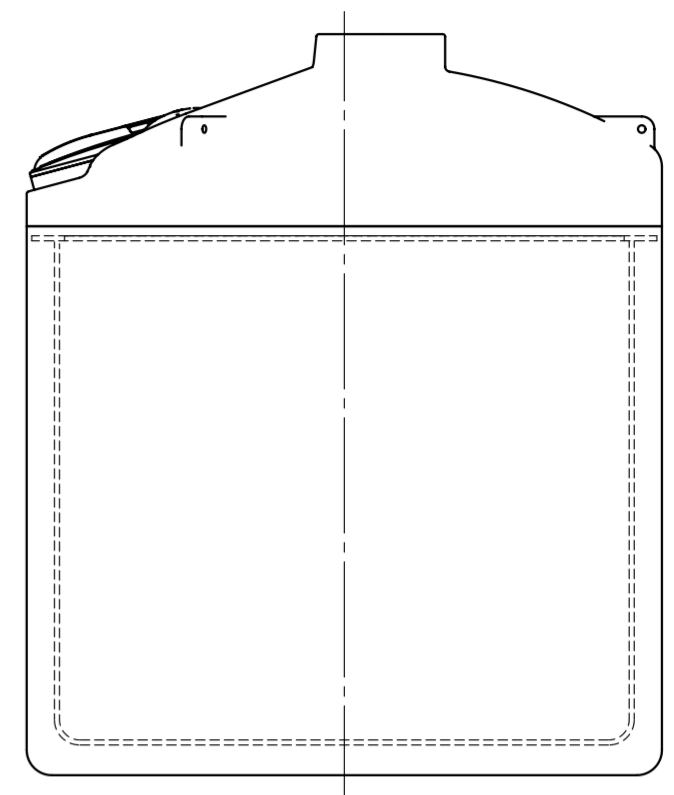
0°



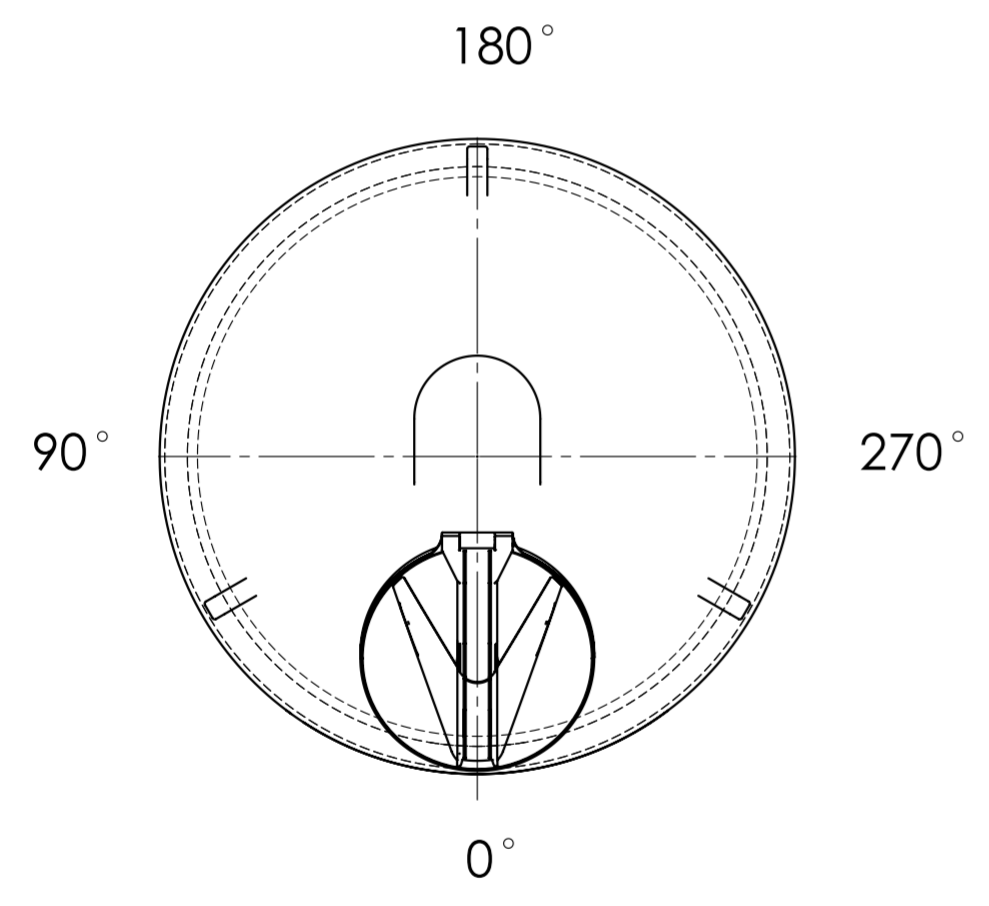
90°



180°



270°



FITTINGS LAYOUT TABLE			
NOZZLE No	DN/PE SIZE	ANGLE	DESCRIPTION
N1			
N2			
N3			
N4			
N5			
N6			
N7			
N8			

NOTES:

DATE	CLIENT APPROVAL SIGNATURE	UNLESS OTHERWISE SPECIFIED: DIMENSIONS ARE IN MILLIMETERS SURFACE FINISH: TOLERANCES: LINEAR: ANGULAR:	FINISH:	DEBURR AND BREAK SHARP EDGES	DO NOT SCALE DRAWING	REVISION
		DRAWN	NAME	SIGNATURE	DATE	TITLE: 1000L INSULATED TANK NOZZLES LAYOUT
		CHK'D				DWG NO. BDR201000
		APPV'D				A2
		MFG				REVO
		Q.A.			MATERIAL:	
					WEIGHT:	
					SCALE:1:15	SHEET 1 OF 1