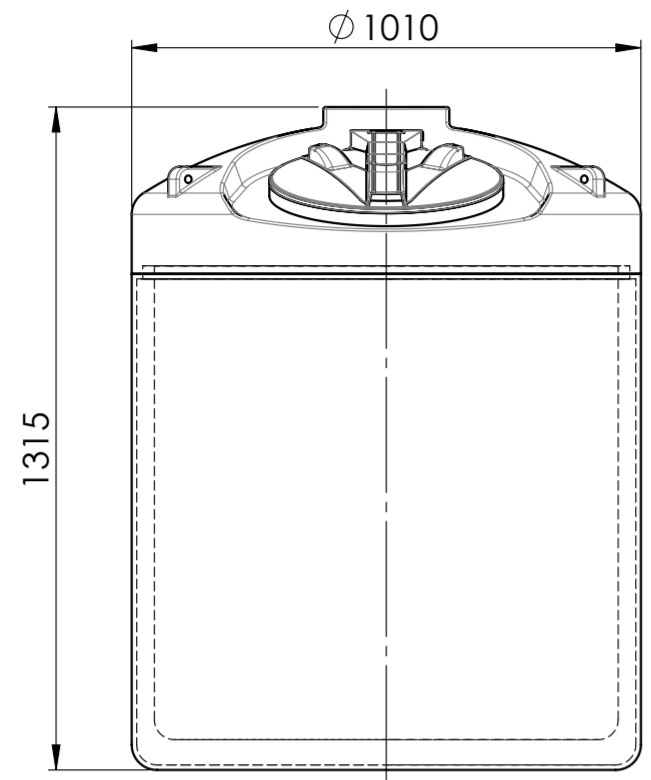


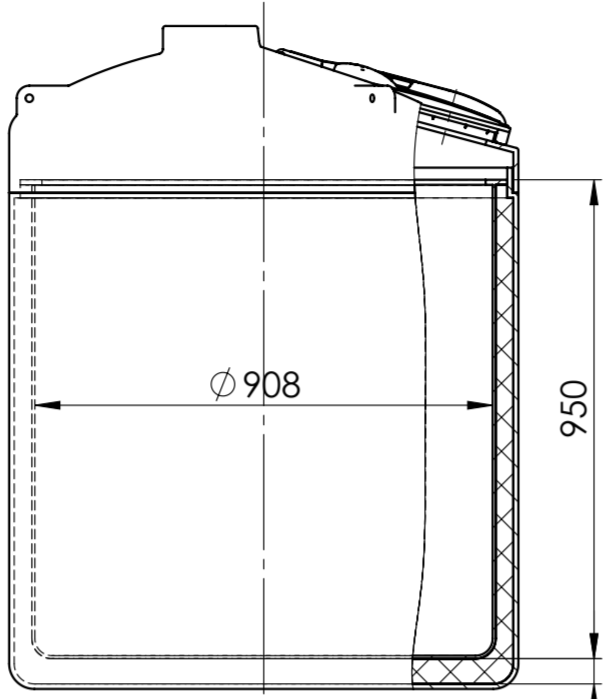
Job Customer:

Title:

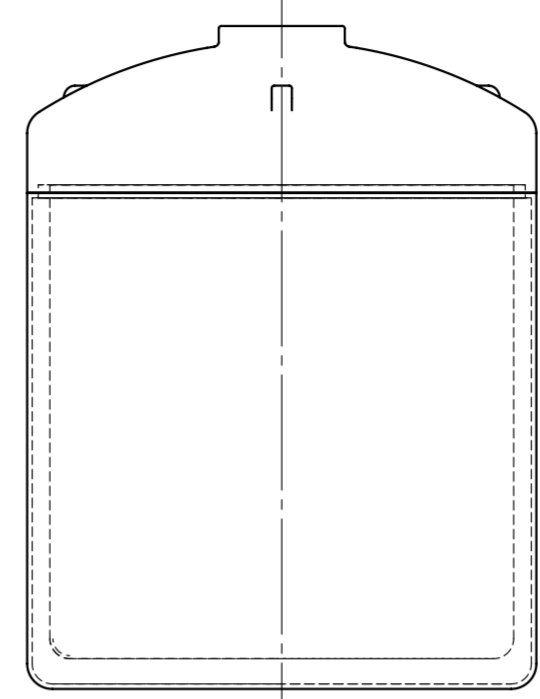
Ref:



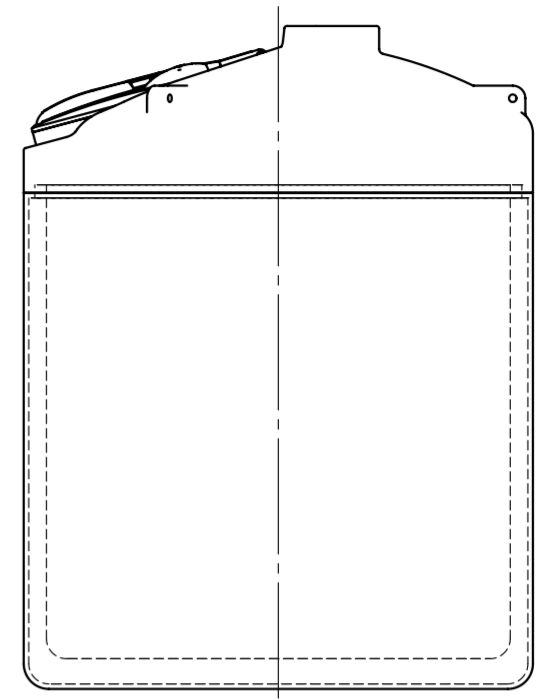
0°



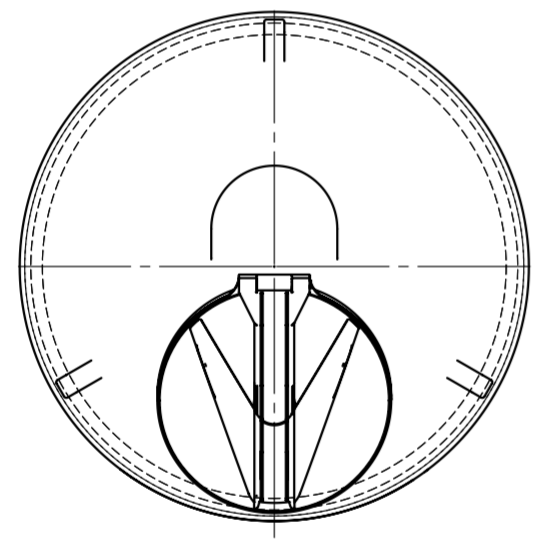
90°



180°



270°



180°

90°

270°

0°



FITTINGS LAYOUT TABLE			
NOZZLE No	DN/PE SIZE	ANGLE	DESCRIPTION
N1			
N2			
N3			
N4			
N5			
N6			
N7			
N8			

NOTES:

DATE	CLIENT APPROVAL SIGNATURE	UNLESS OTHERWISE SPECIFIED: DIMENSIONS ARE IN MILLIMETERS SURFACE FINISH: TOLERANCES: LINEAR: ANGULAR:	FINISH:	DEBURR AND BREAK SHARP EDGES	DO NOT SCALE DRAWING	REVISION				
DRAWN CHK'D APPV'D MFG Q.A.					TITLE: 500L INSULATED TANK NOZZLES LAYOUT					
					MATERIAL:	DWG NO. BDR200500	A2			
								WEIGHT:	SCALE: 1:15	SHEET 1 OF 1