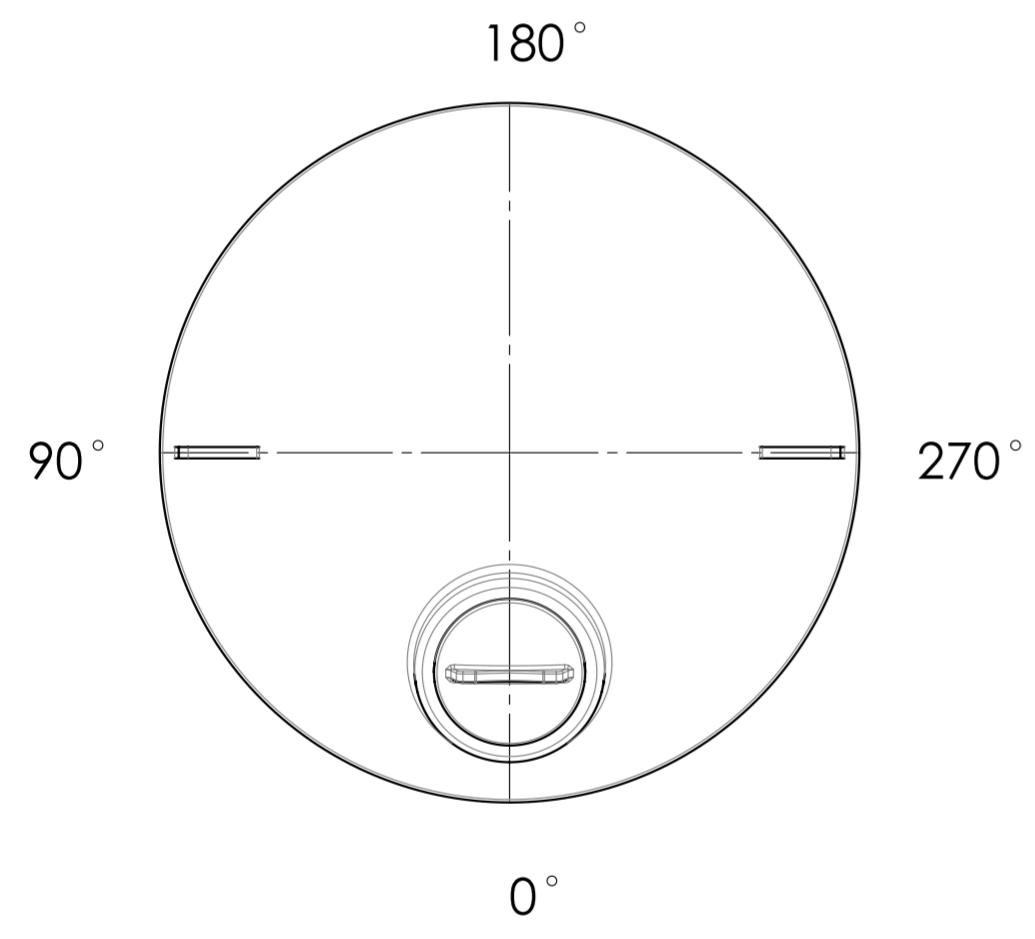
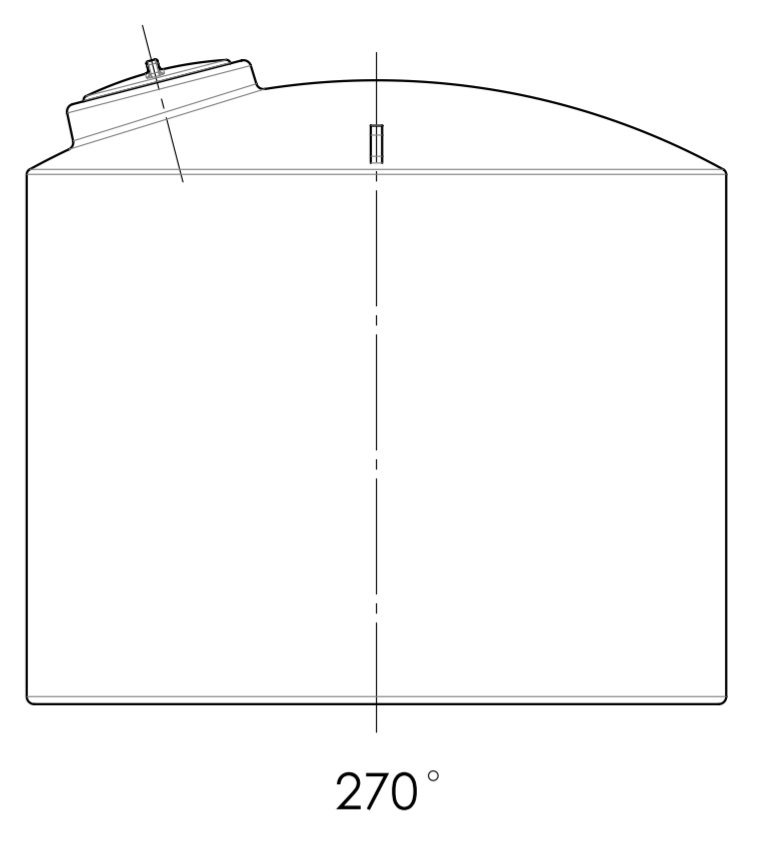
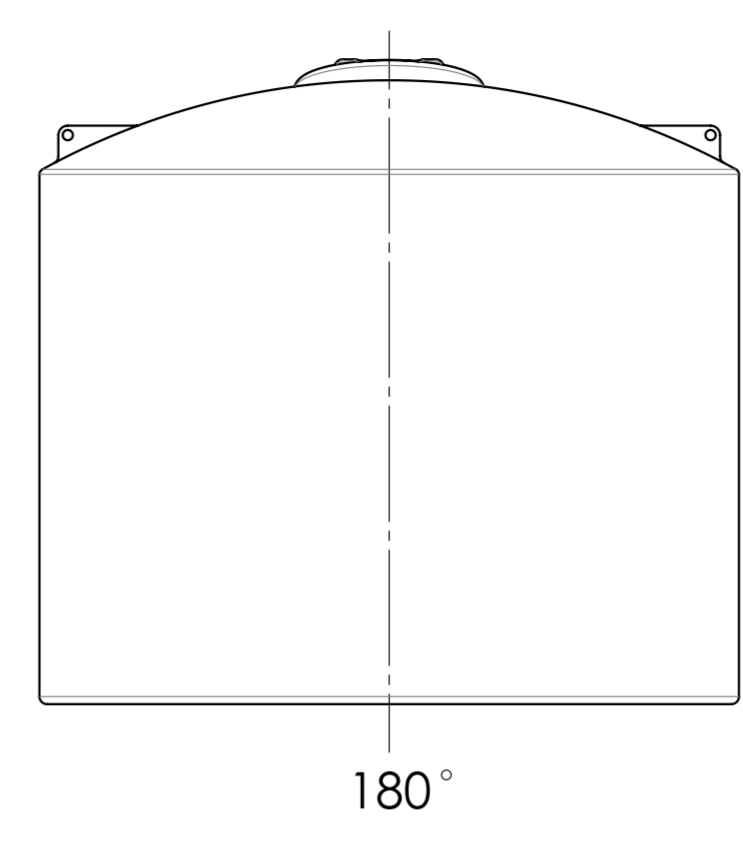
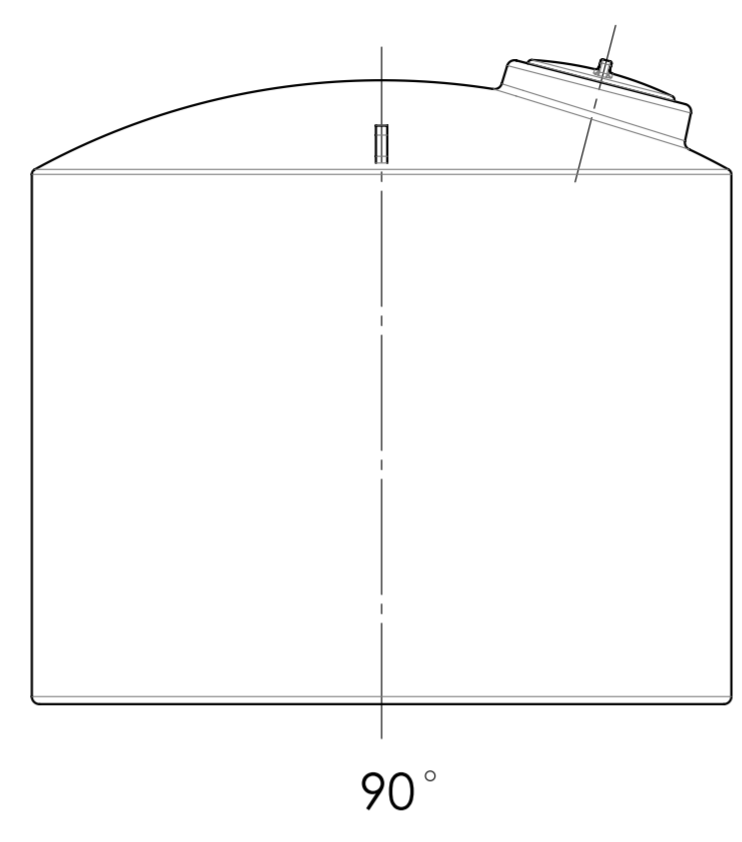
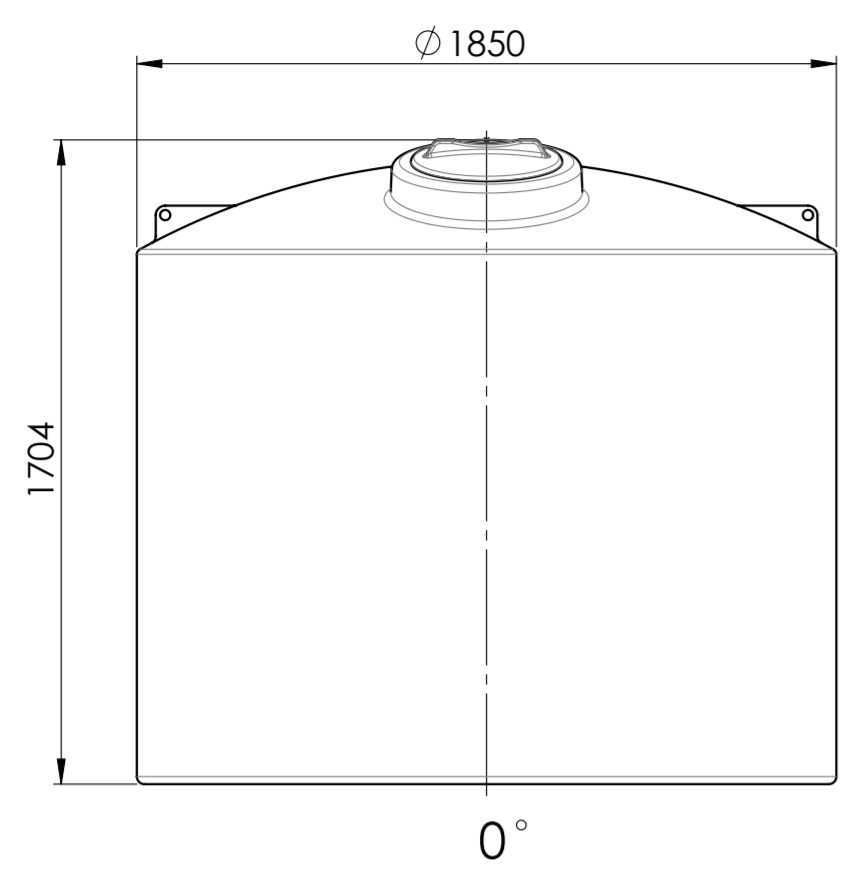


Job Customer:

Title:

Ref:



FITTINGS LAYOUT TABLE

NOZZLE No	PE SIZE	LEVEL MARK	ANGLE	DESCRIPTION
N1				
N2				
N3				
N4				
N5				
N6				
N7				

NOTES:

UNLESS OTHERWISE SPECIFIED: DIMENSIONS ARE IN MILLIMETERS		FINISH:		DEBURR AND BREAK SHARP EDGES		DO NOT SCALE DRAWING		REVISION	
TOLERANCES: LINEAR: ANGULAR:								TITLE: 3500L XPRESS TANK (XPIND03500)	
								NOZZLES LAYOUT	
DRAWN	NAME	SIGNATURE	DATE			DWG NO.		A2	
CHK'D									
APP'VD									
MFG									
Q.A.					MATERIAL:				
					WEIGHT:			SCALE: 1:20 SHEET 1 OF 1	