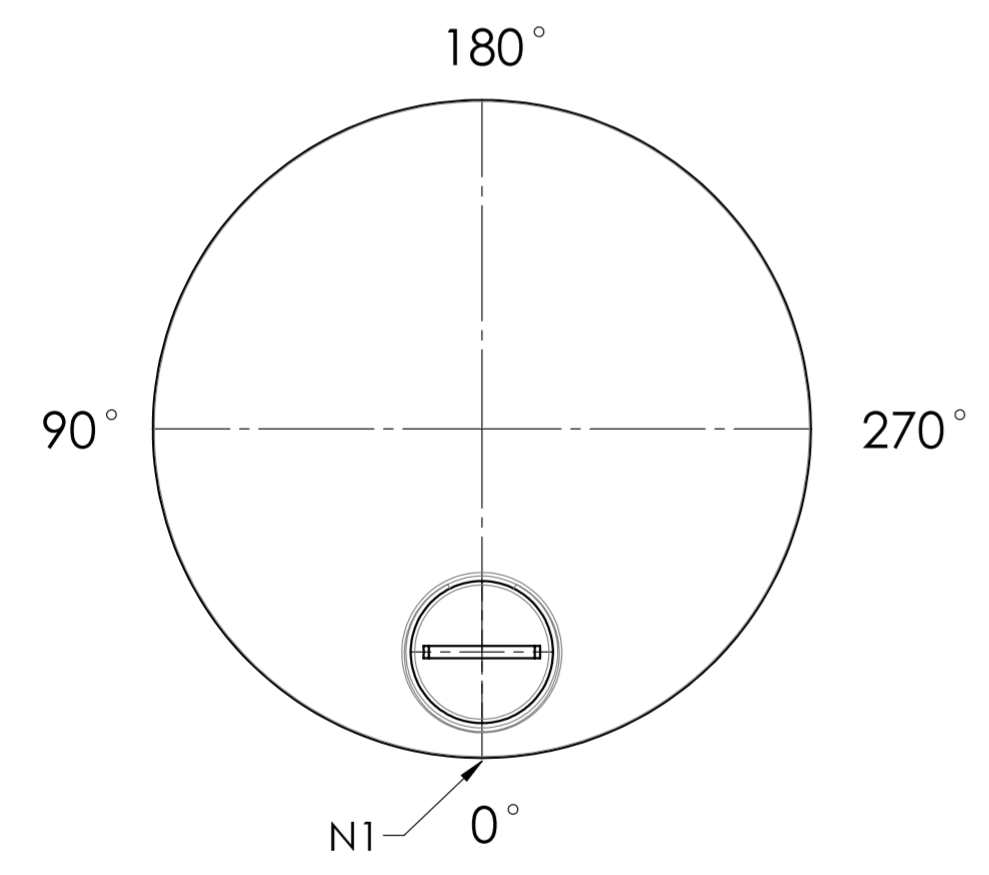
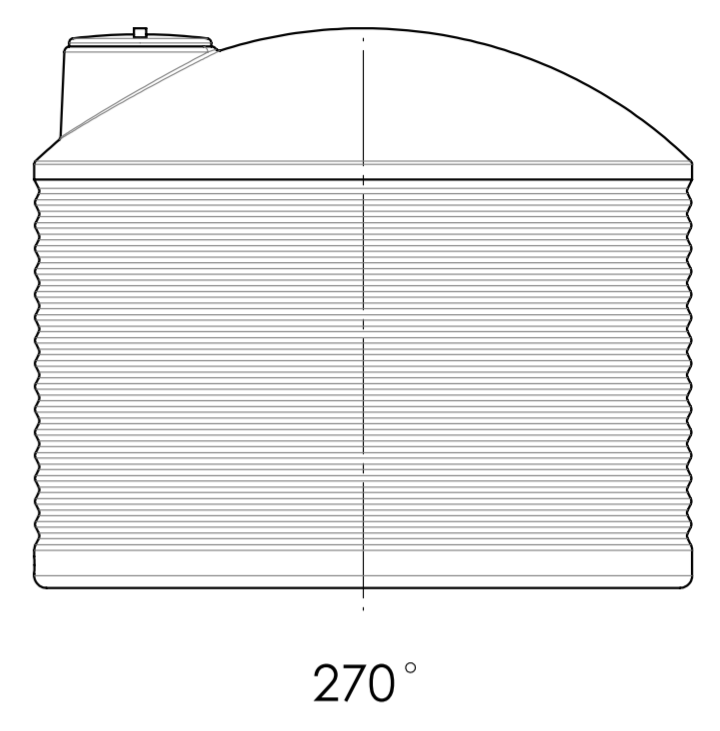
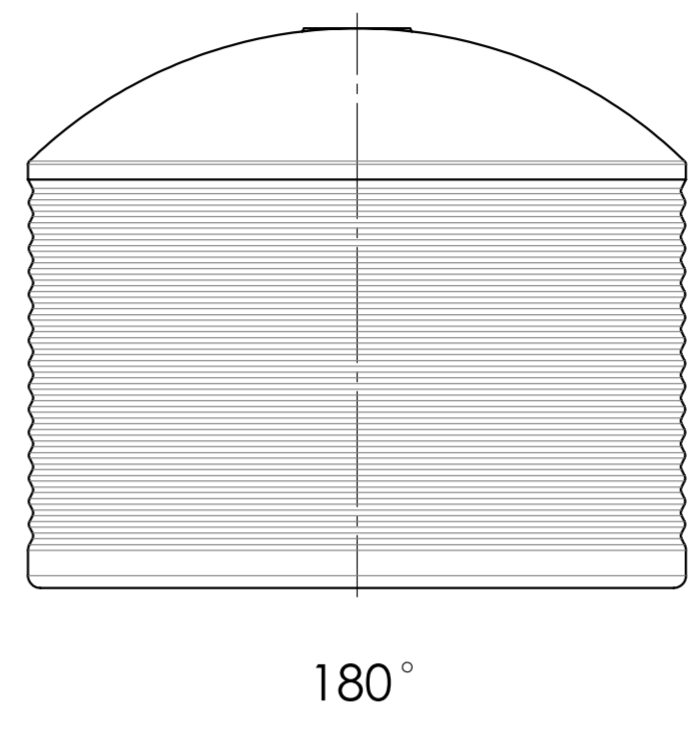
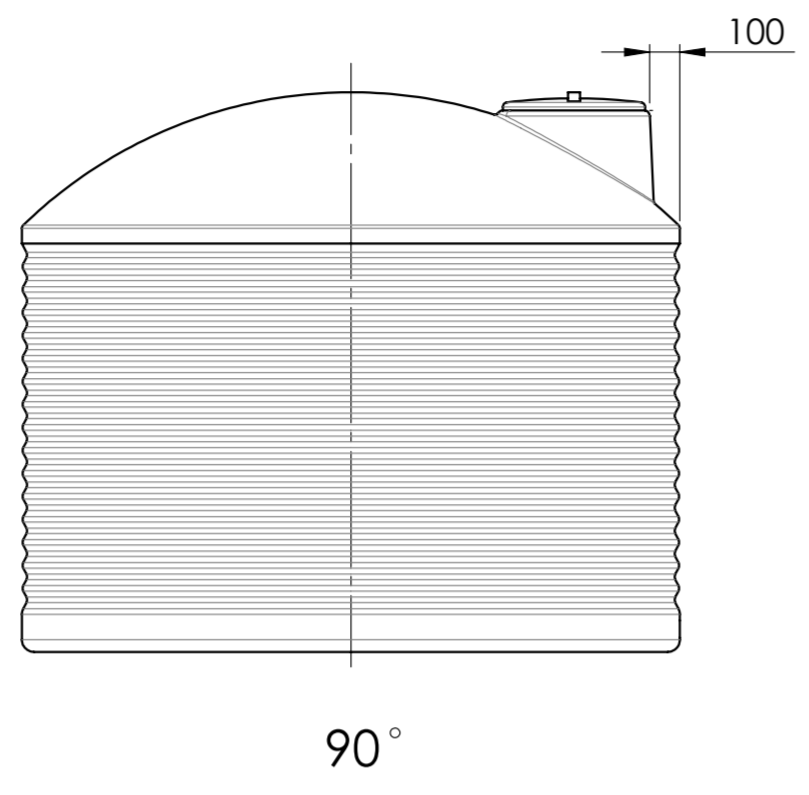
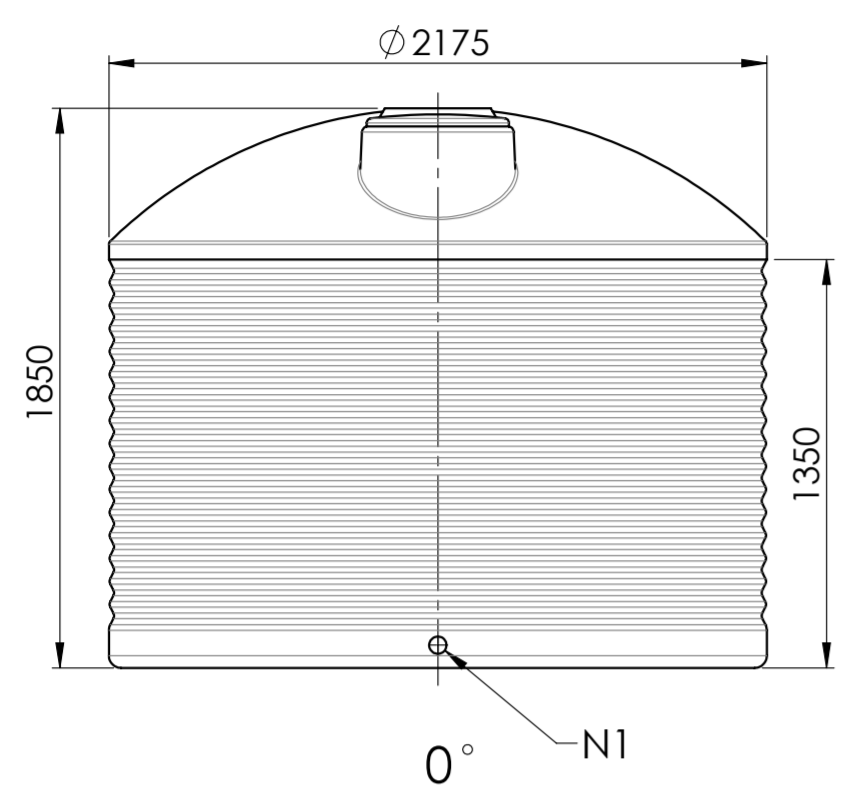


Job Customer:


Title:

Ref:



FITTINGS LAYOUT TABLE				
NOZZLE No	PE SIZE	LEVEL MARK	ANGLE	DESCRIPTION
N1		+0.075	0°	(Molded in, 50mm female)
N2				
N3				
N4				
N5				
N6				
N7				
N8				

NOTES:
1. LEVEL MARKS ARE IN m, DIMENSIONS ARE IN mm.

DATE	CLIENT APPROVAL SIGNATURE	UNLESS OTHERWISE SPECIFIED: DIMENSIONS ARE IN MILLIMETERS SURFACE FINISH: TOLERANCES: LINEAR: ANGULAR:	FINISH:	DEBURR AND BREAK SHARP EDGES	DO NOT SCALE DRAWING	REVISION
					 ENGINEERED PLASTICS	
		DRAWN	NAME	SIGNATURE	DATE	TITLE: 5000 LTR WATER TANK (E110L5000) NOZZLES LAYOUT
		CHK'D				
		APPV'D				
		MFG				
		Q.A				
			MATERIAL:		DWG NO.	A2
			WEIGHT:		SCALE:1:25	SHEET 1 OF 1