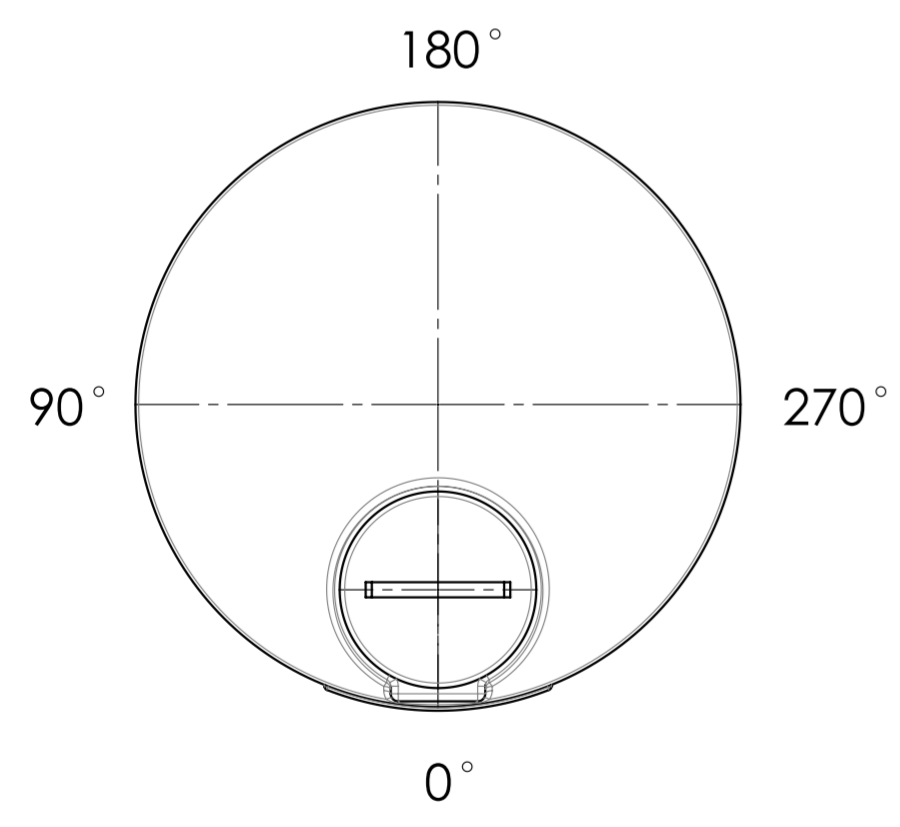
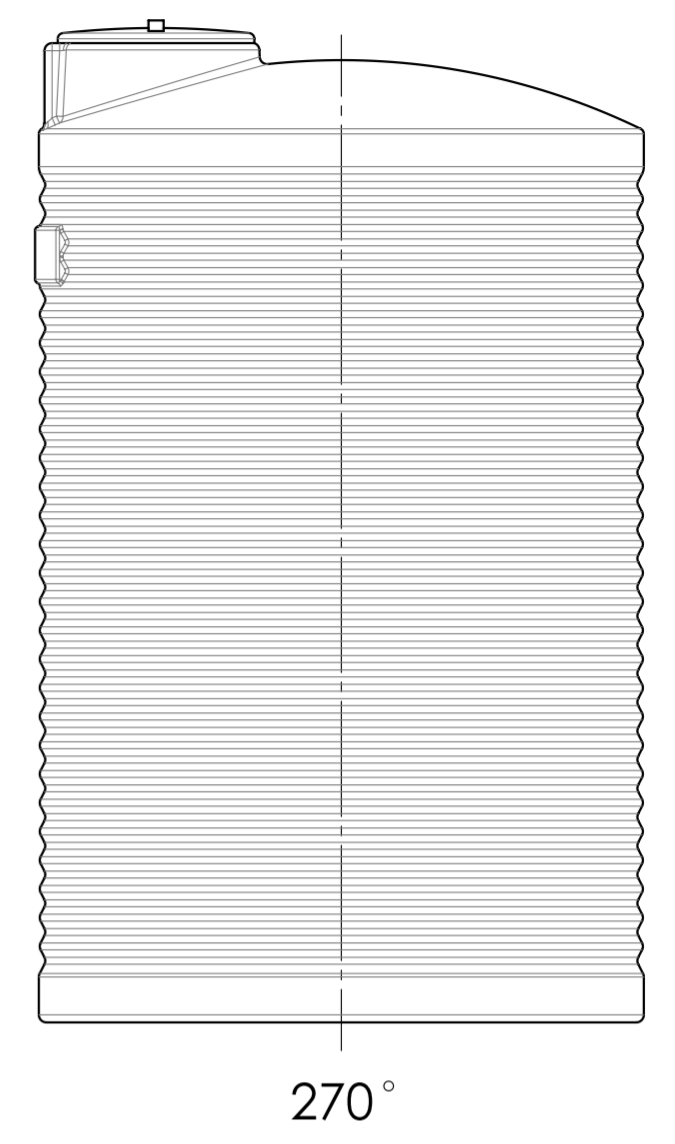
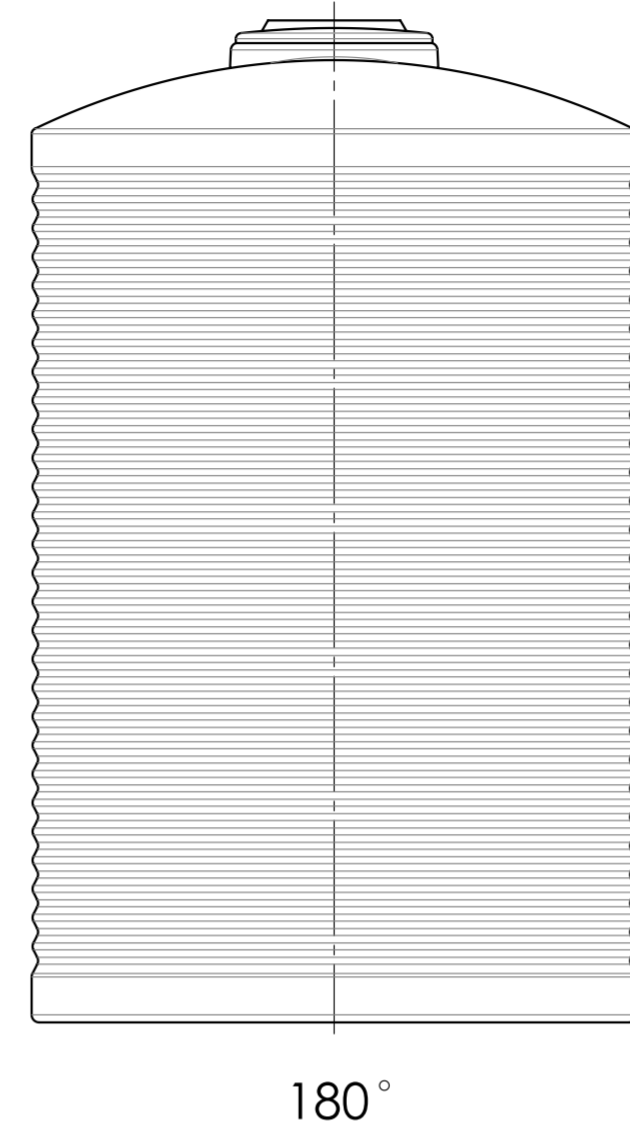
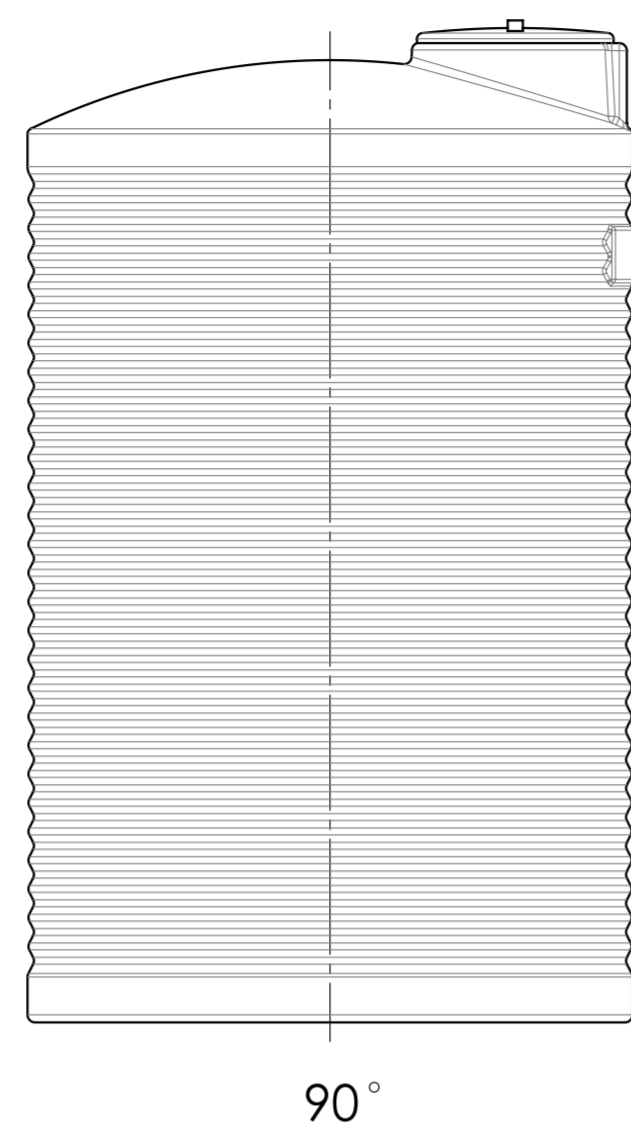
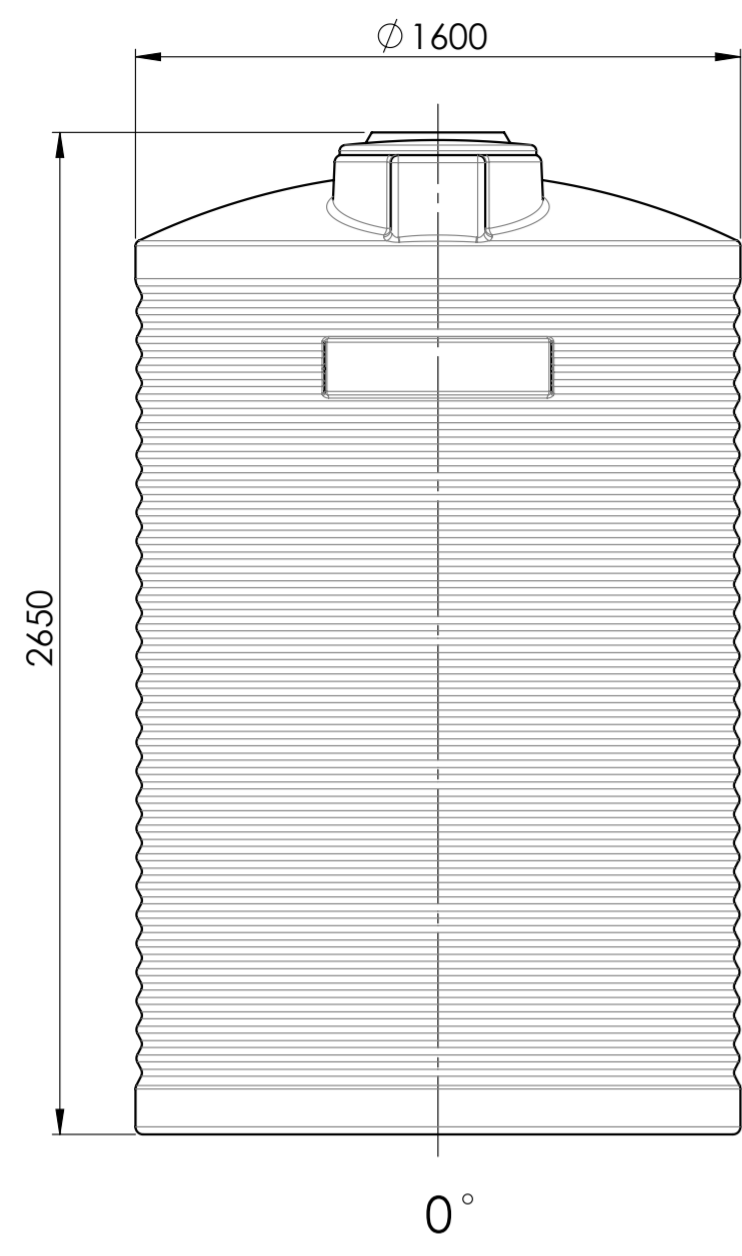


Job Customer:

Title:

Ref:



FITTINGS LAYOUT TABLE				
NOZZLE No	PE SIZE	LEVEL MARK	ANGLE	DESCRIPTION
N1				
N2				
N3				
N4				
N5				
N6				
N7				
N8				

NOTES:
1. LEVEL MARKS ARE IN m, DIMENSIONS ARE IN mm.

DATE	CLIENT APPROVAL SIGNATURE	UNLESS OTHERWISE SPECIFIED: DIMENSIONS ARE IN MILLIMETERS SURFACE FINISH: TOLERANCES: LINEAR: ANGULAR:			FINISH:	DEBURR AND BREAK SHARP EDGES	DO NOT SCALE DRAWING	REVISION
		NAME	SIGNATURE	DATE				
		DRAWN					TITLE: 5000L TANK (E11005000) NOZZLES LAYOUT	
		CHK'D					DWG NO.	
		APPV'D					A2	
		MFG					SCALE: 1:20	
		Q.A.			MATERIAL:		SHEET 1 OF 1	
					WEIGHT:			