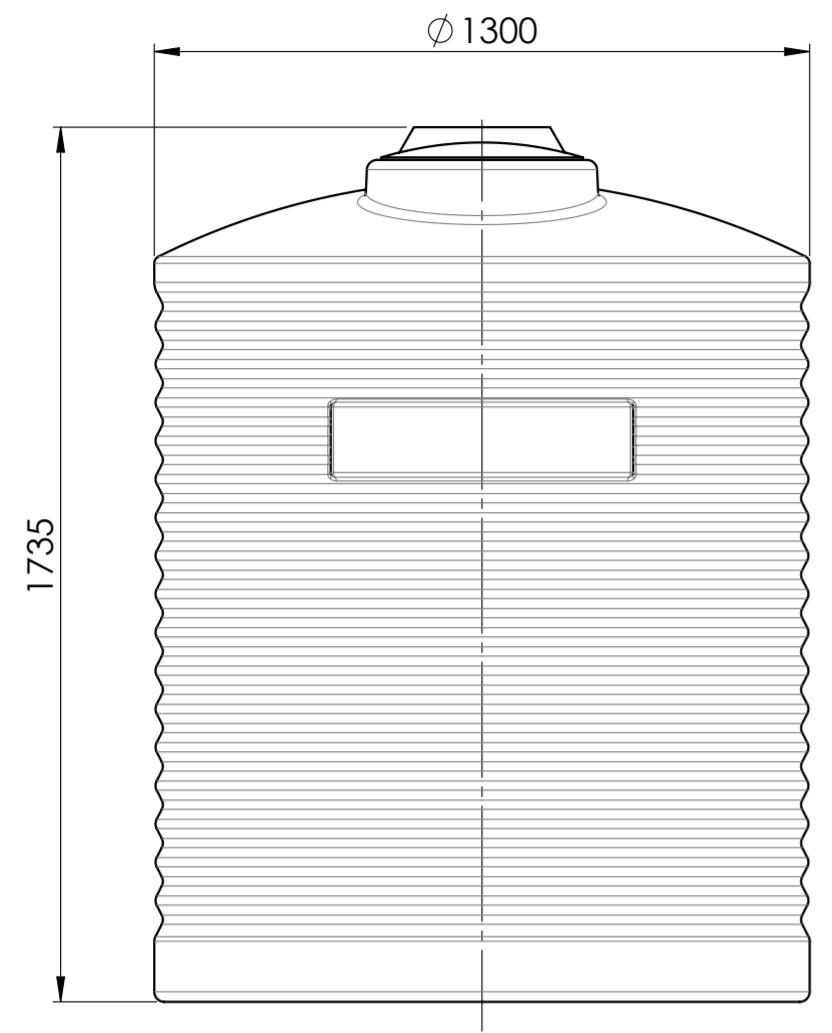


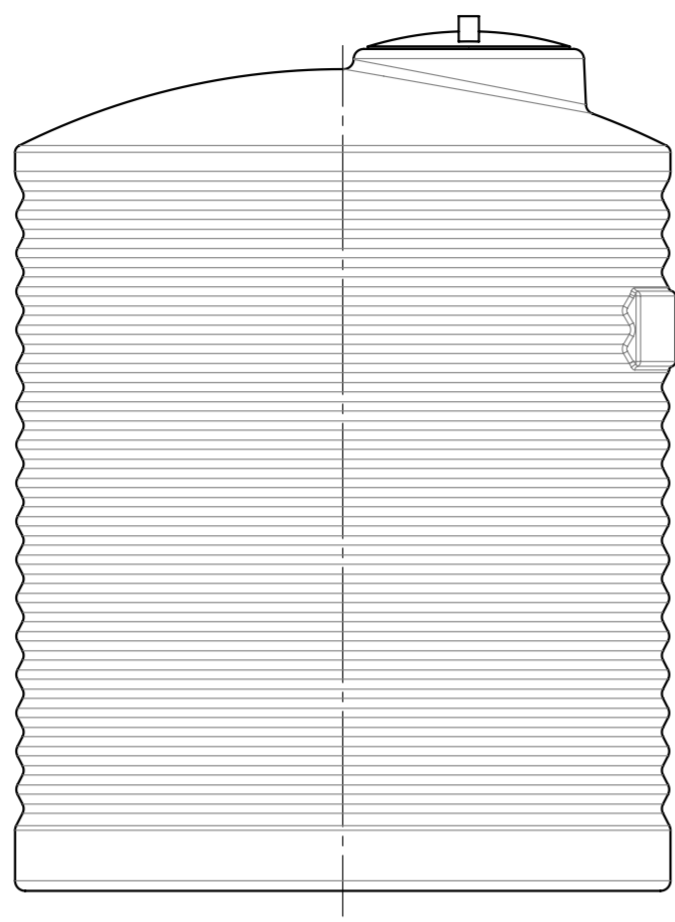
Job Customer:

Title:

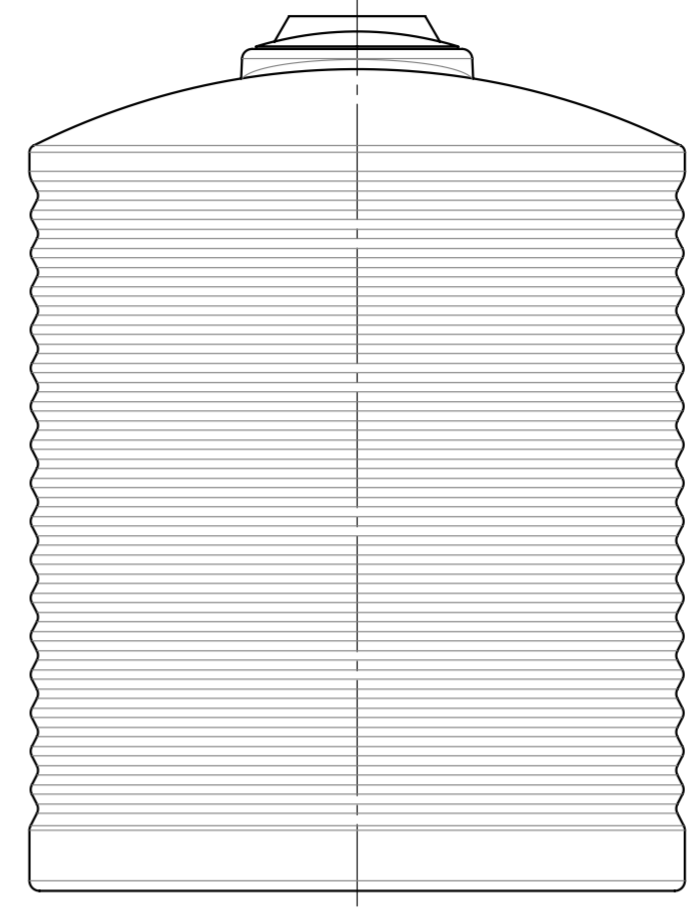
Ref:



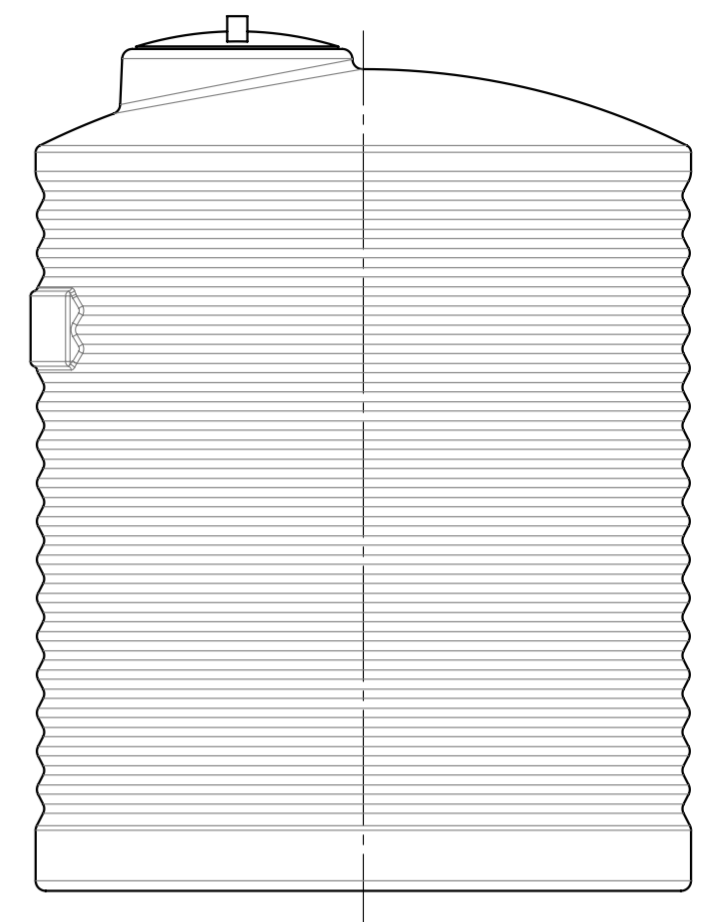
0°



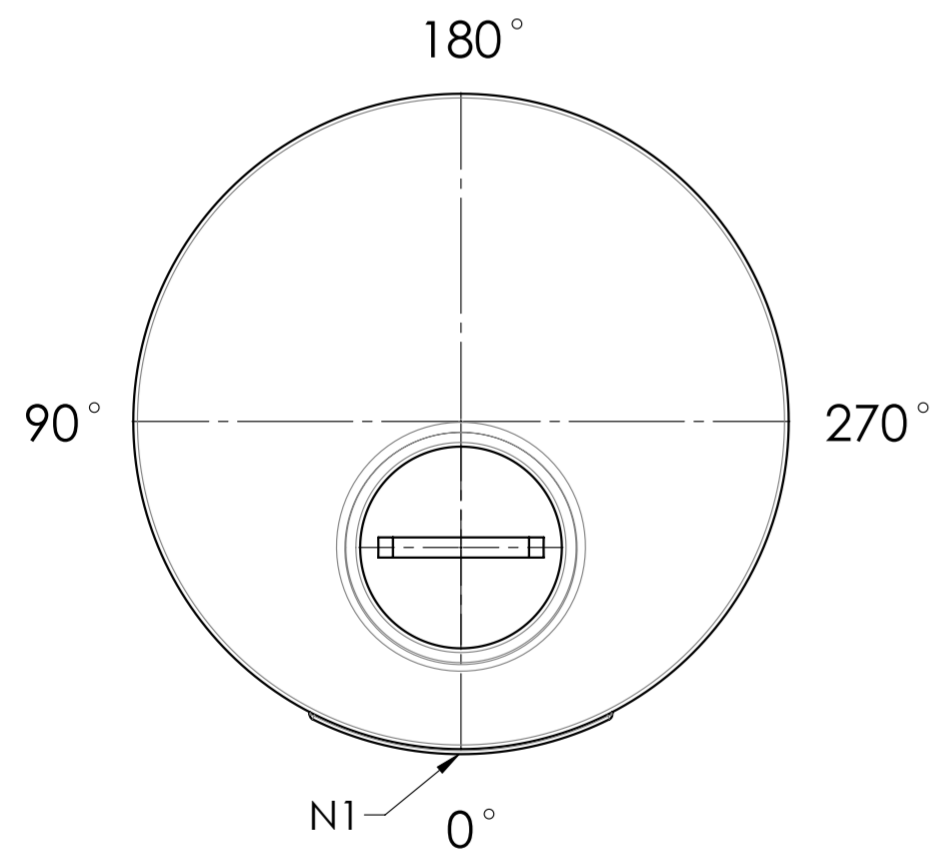
90°



180°



270°



FITTINGS LAYOUT TABLE				
NOZZLE No	PE SIZE	LEVEL MARK	ANGLE	DESCRIPTION
N1				
N2				
N3				
N4				
N5				
N6				
N7				
N8				

NOTES:
1. LEVEL MARKS ARE IN m, DIMENSIONS ARE IN mm.

DATE	CLIENT APPROVAL SIGNATURE	UNLESS OTHERWISE SPECIFIED: DIMENSIONS ARE IN MILLIMETERS SURFACE FINISH: TOLERANCES: LINEAR: ANGULAR:			FINISH:	DEBURR AND BREAK SHARP EDGES	DO NOT SCALE DRAWING	REVISION
		DRAWN			NAME	SIGNATURE	DATE	
		CHK'D						TITLE: 2000 LTR WATER TANK (E11002000) NOZZLES LAYOUT
		APPV'D						DWG NO.
		MFG						A2
		Q.A.						SCALE:1:15
						WEIGHT:		SHEET 1 OF 1