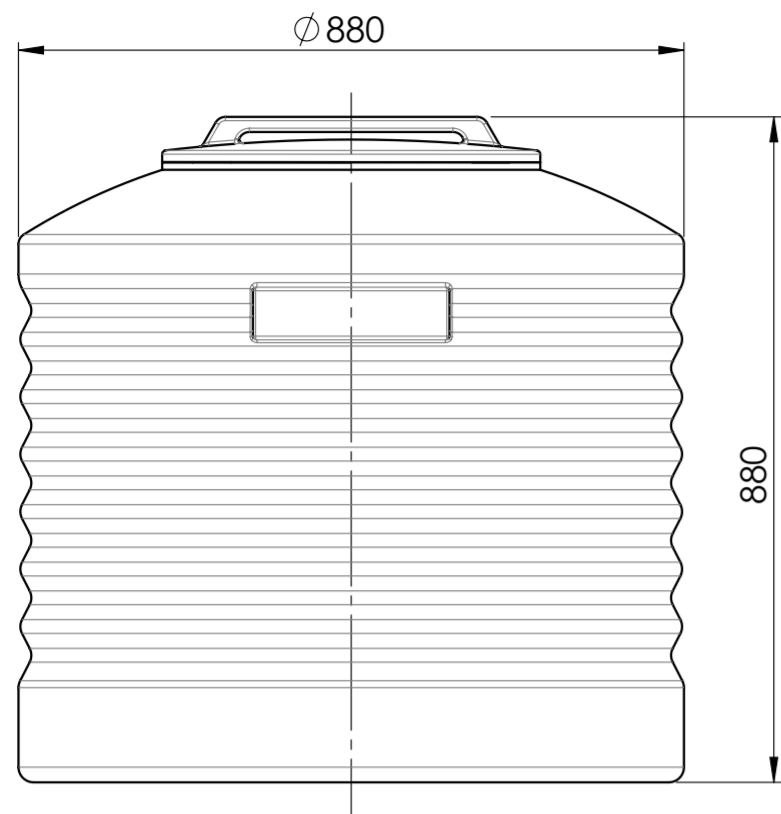


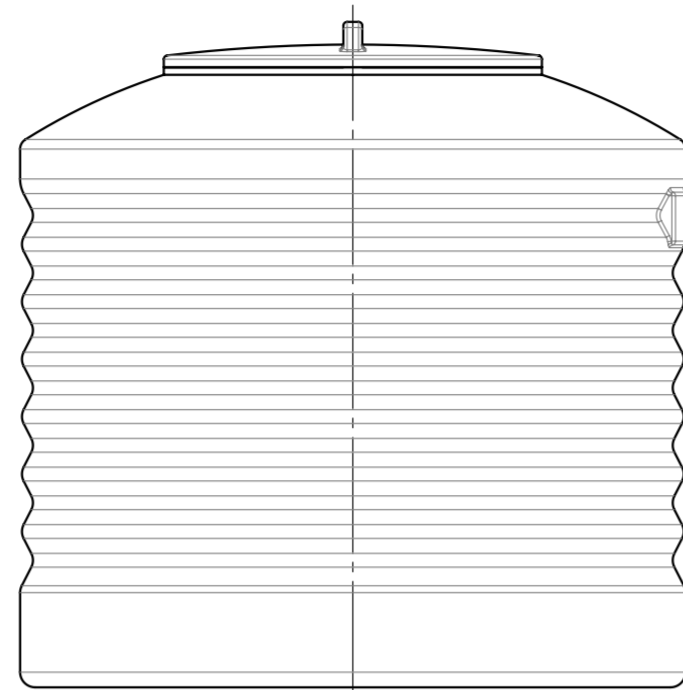
Job Customer:

Title:

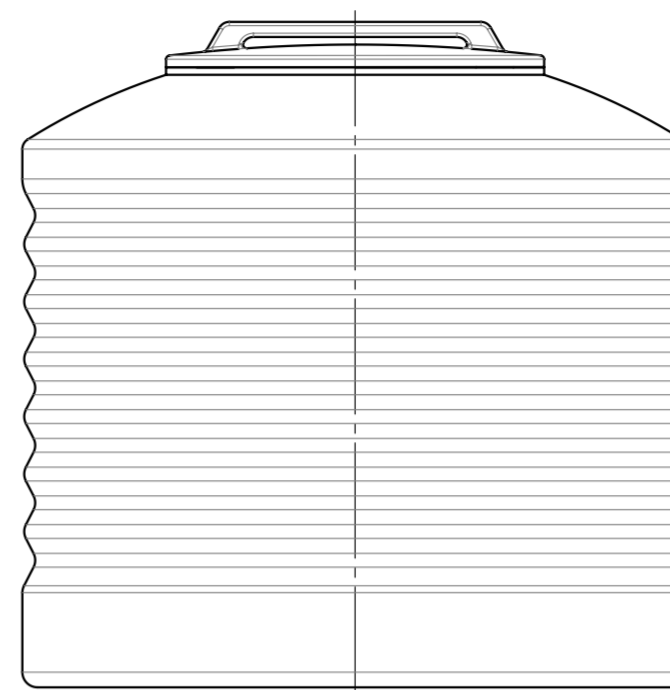
Ref:



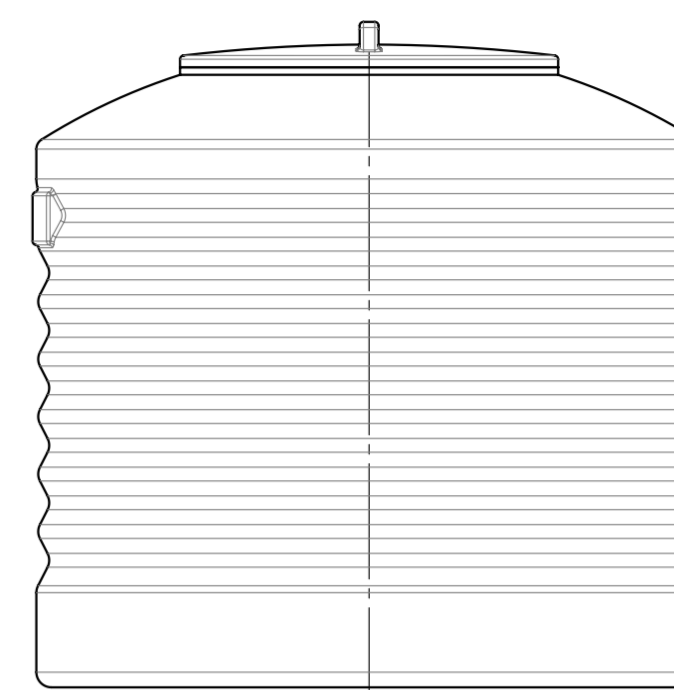
0°



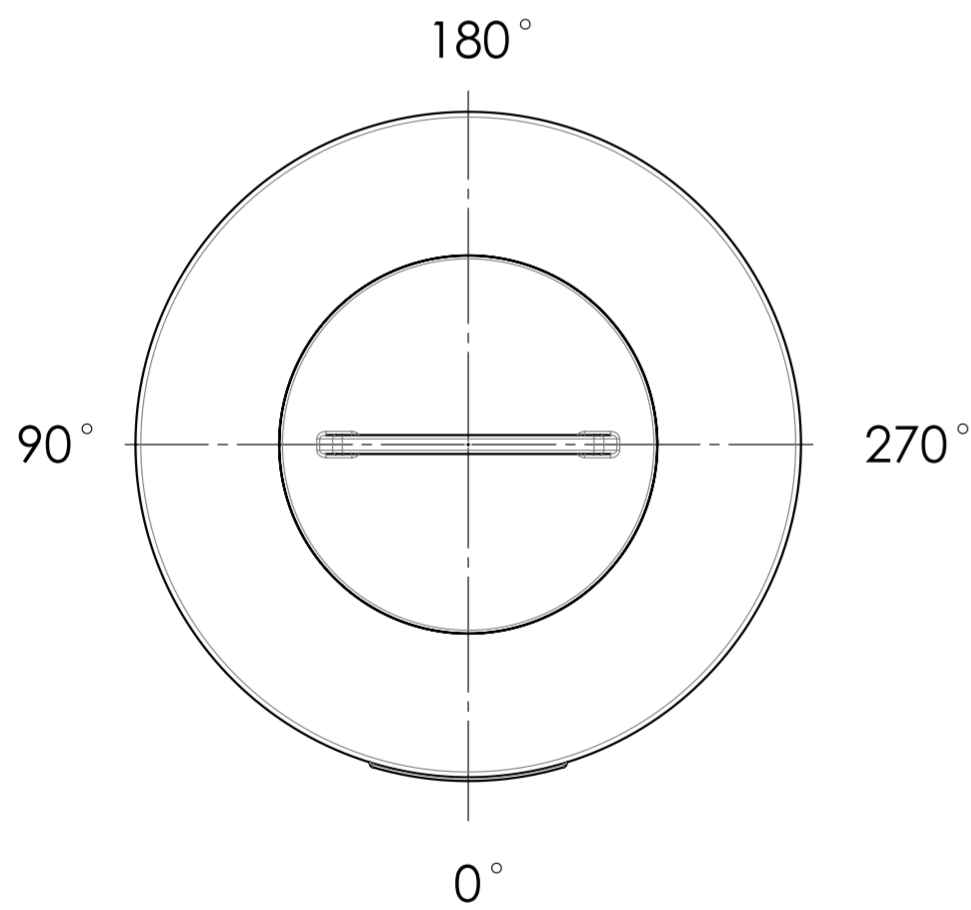
90°



180°



270°



FITTINGS LAYOUT TABLE

NOZZLE No	PE SIZE	LEVEL MARK	ANGLE	DESCRIPTION
N1				
N2				
N3				
N4				
N5				

NOTES:

1. LEVEL MARKS ARE IN m, DIMENSIONS ARE IN mm.

DATE	CLIENT APPROVAL SIGNATURE	UNLESS OTHERWISE SPECIFIED: DIMENSIONS ARE IN MILLIMETERS SURFACE FINISH: TOLERANCES: LINEAR: ANGULAR:	FINISH:	DEBURR AND BREAK SHARP EDGES	DO NOT SCALE DRAWING	REVISION
DRAWN CHK'D APPV'D MFG Q.A.					TITLE: 450 LTR WATER TANK (E11000450) NOZZLES LAYOUT	
					DWG NO.	
					MATERIAL:	
					WEIGHT:	
					SCALE: 1:10	
		SHEET 1 OF 1		A2		