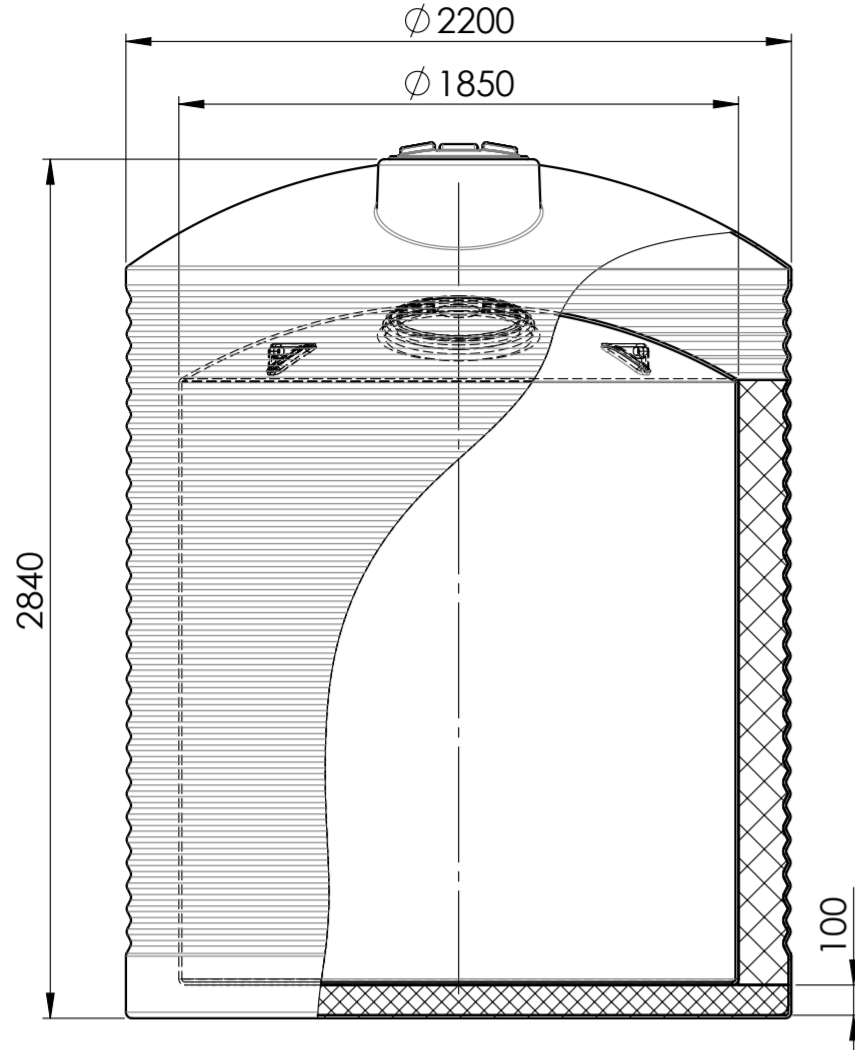


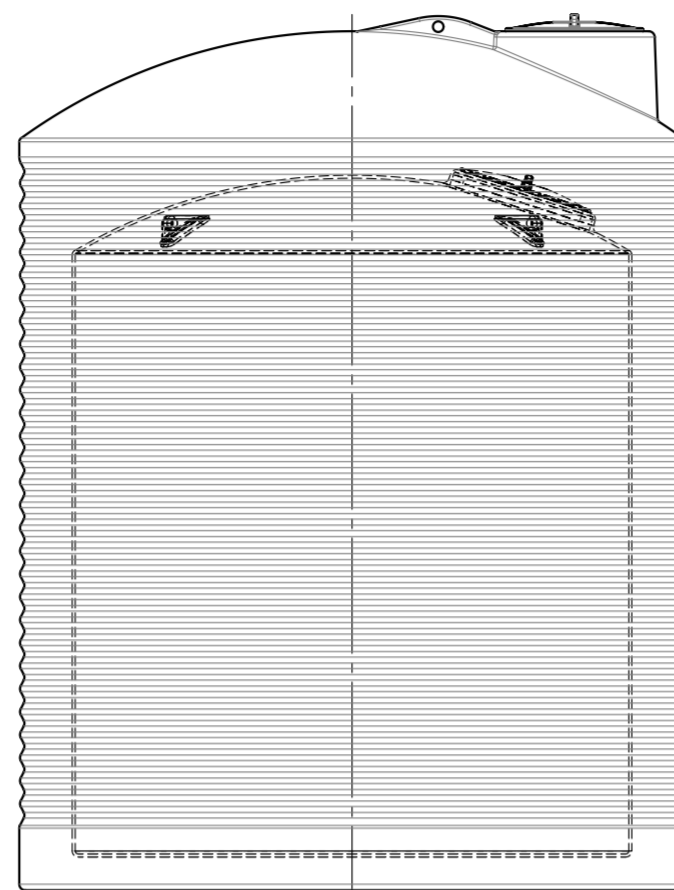
Job Customer:

Title:

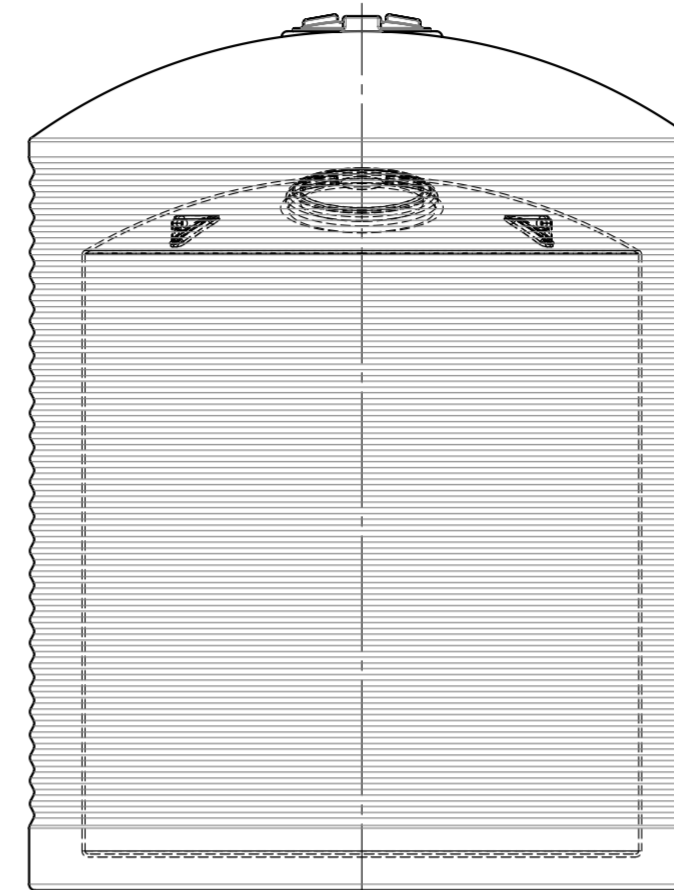
Ref:



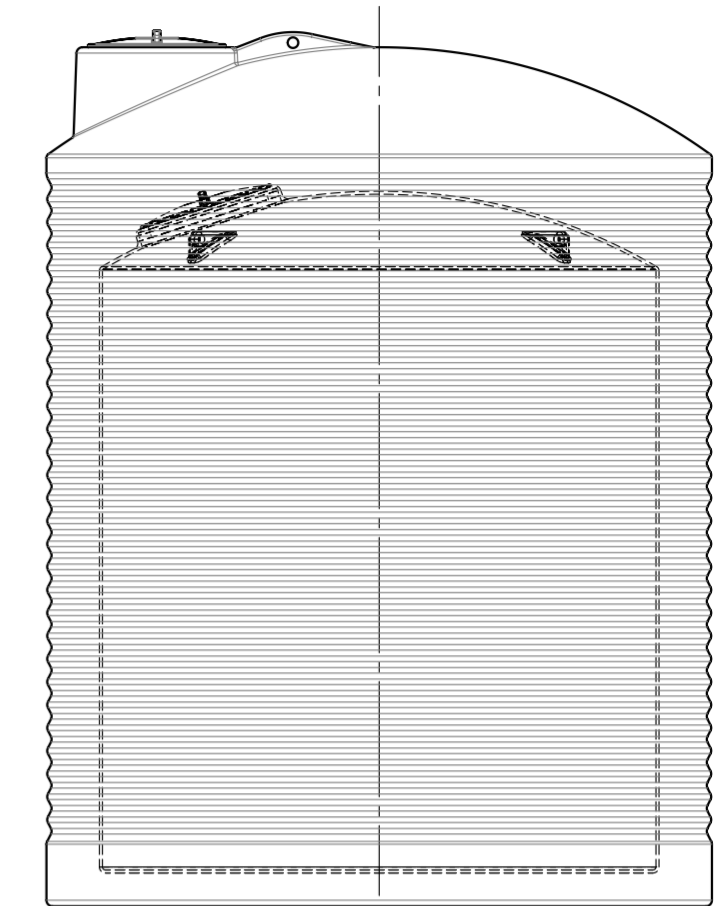
0°



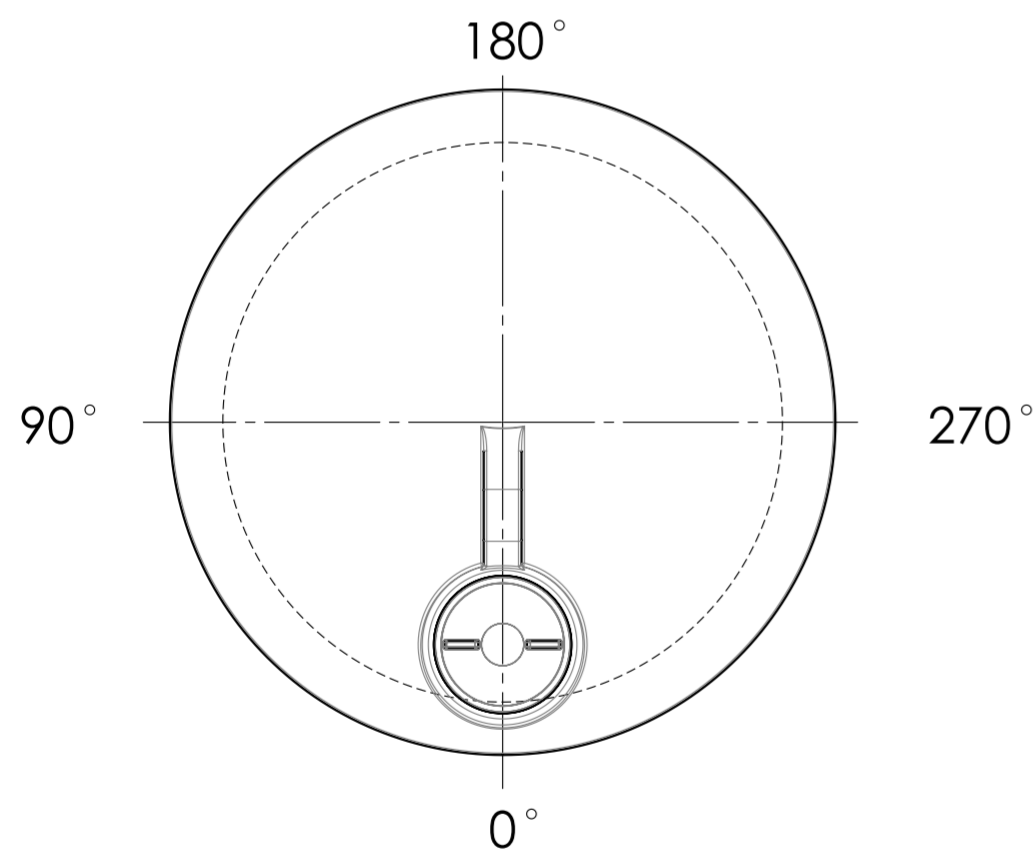
90°



180°




270°



FITTINGS LAYOUT TABLE

NOZZLE No	PE SIZE	LEVEL MARK	ANGLE	DESCRIPTION
N1				
N2				
N3				
N4				
N5				
N6				
N7				

NOTES:

DATE	CLIENT APPROVAL SIGNATURE	UNLESS OTHERWISE SPECIFIED: DIMENSIONS ARE IN MILLIMETERS SURFACE FINISH: TOLERANCES: LINEAR: ANGULAR:	FINISH:	DEBURR AND BREAK SHARP EDGES	DO NOT SCALE DRAWING	REVISION						
					 ENGINEERED PLASTICS							
DRAWN CHK'D APPV'D MFG Q.A.					TITLE: 5000L TANK (PMXIT05000IBD) NOZZLES LAYOUT							
					NAME	SIGNATURE	DATE					
										DWG NO. PMXIT05000IBD		A2
										MATERIAL:		
										WEIGHT:		
SCALE: 1:25		SHEET 1 OF 1										