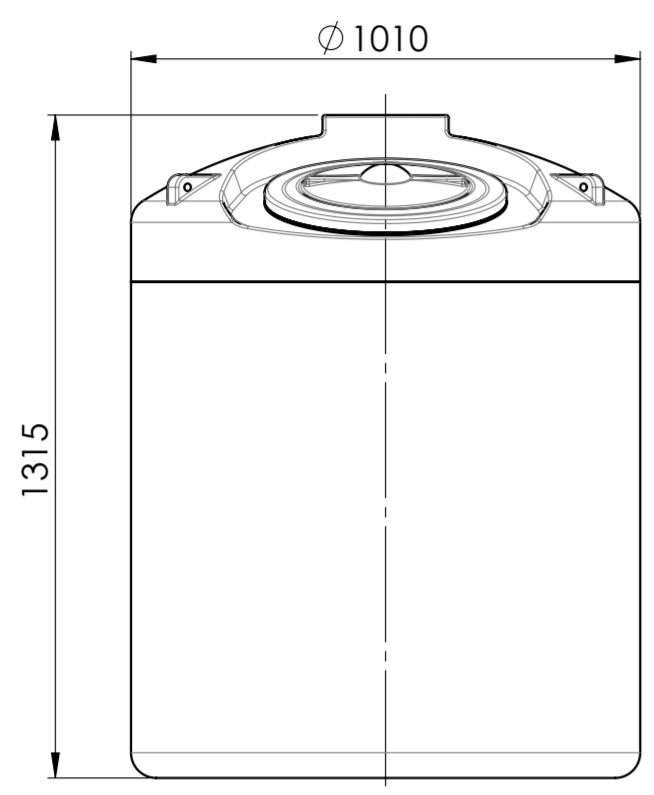


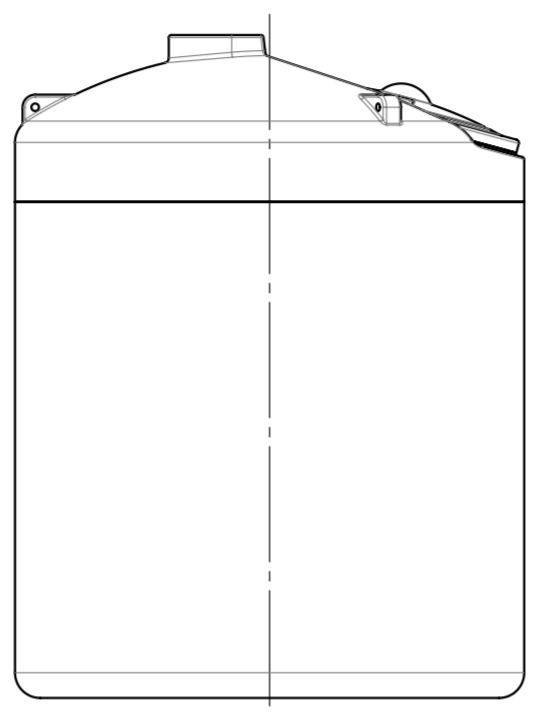
Job Customer:

Title:

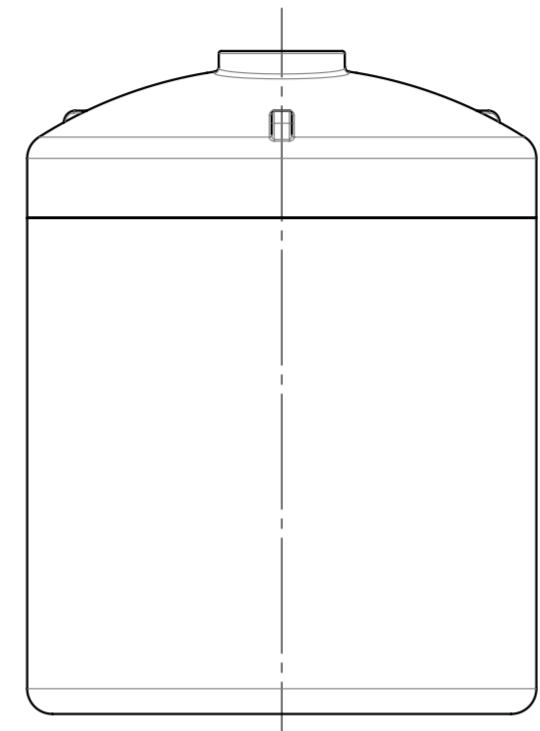
Ref:



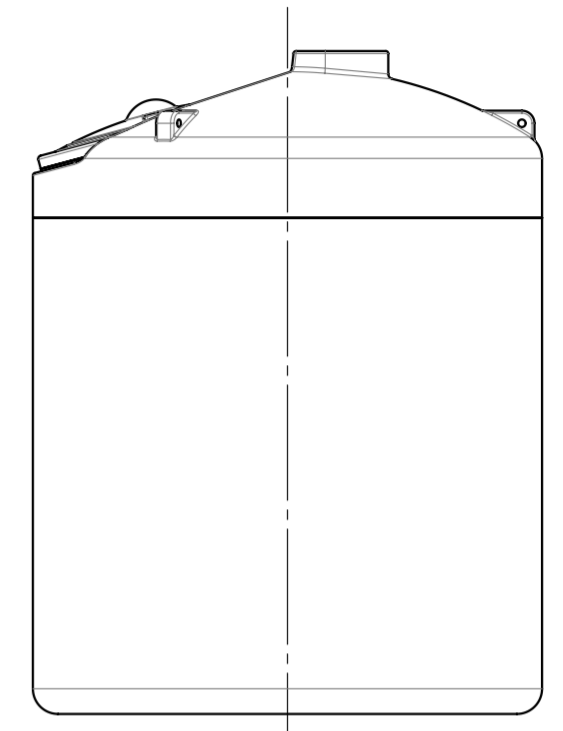
0°



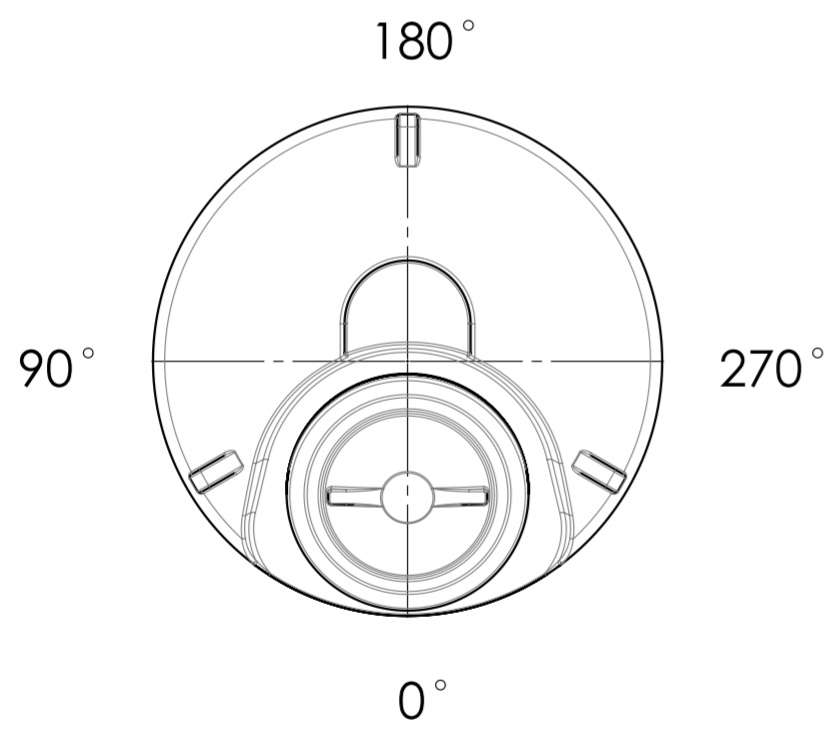
90°



180°




270°



FITTINGS LAYOUT TABLE

NOZZLE No	PE SIZE	LEVEL MARK	ANGLE	DESCRIPTION
N1				
N2				
N3				
N4				
N5				
N6				
N7				

NOTES:

DATE	CLIENT APPROVAL SIGNATURE	UNLESS OTHERWISE SPECIFIED: DIMENSIONS ARE IN MILLIMETERS SURFACE FINISH: TOLERANCES: LINEAR: ANGULAR:	FINISH:	DEBURR AND BREAK SHARP EDGES	DO NOT SCALE DRAWING	REVISION
					 ENGINEERED PLASTICS	
					TITLE: 1000L Bunded Tank NOZZLES LAYOUT	
					DWG. NO.	
					A2	
					SCALE: 1:15	
					SHEET 1 OF 1	