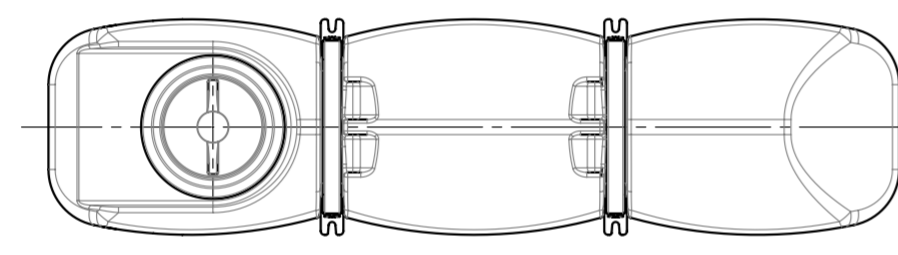
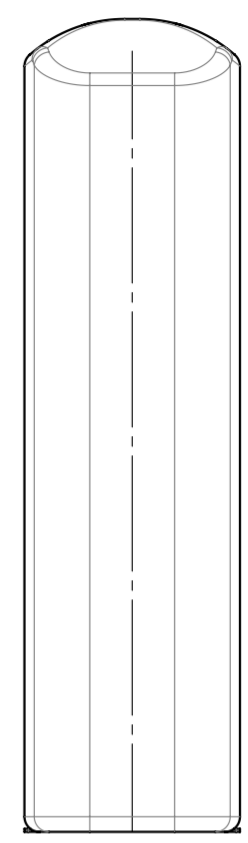
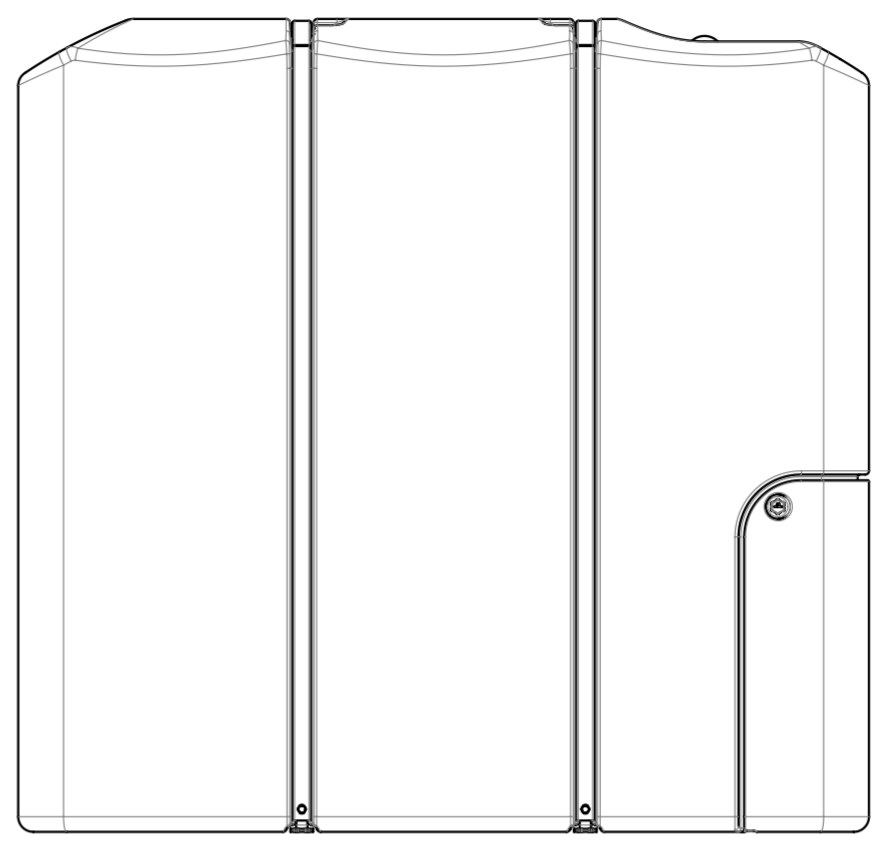
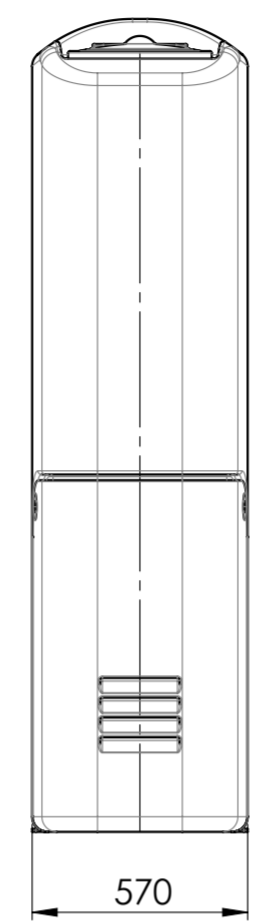
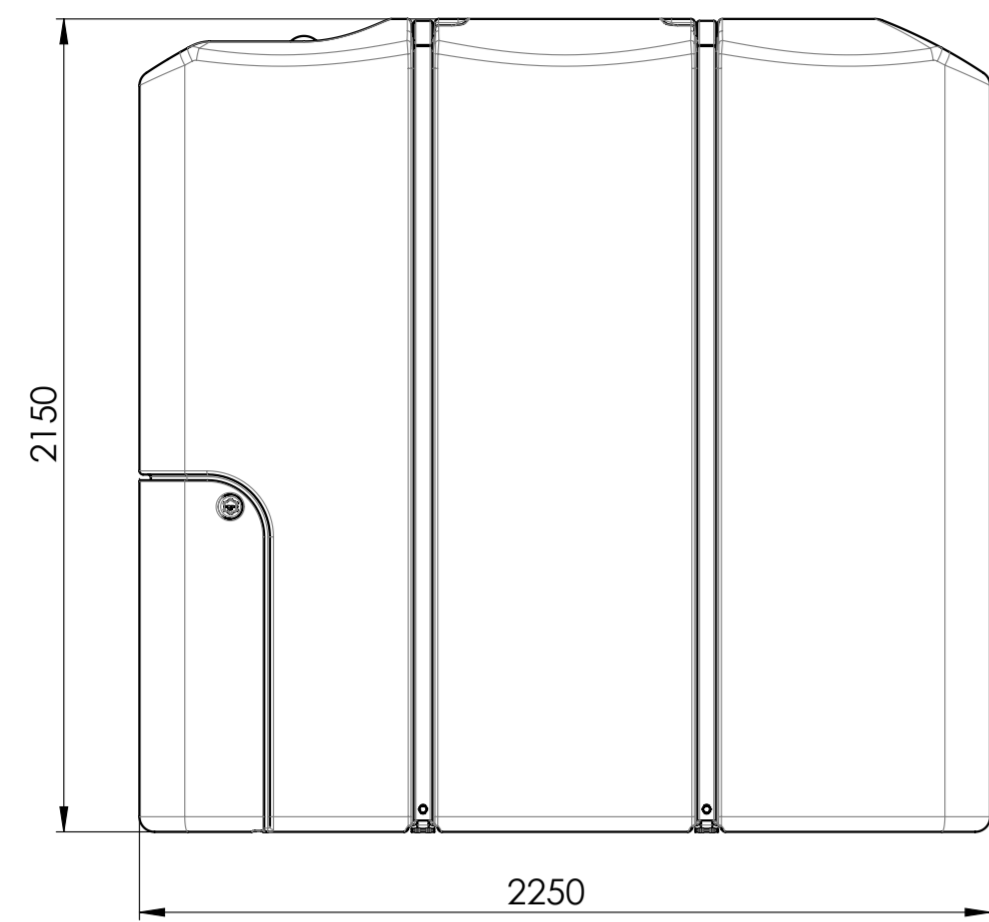


Job Customer:

Title:

Ref:




FITTINGS LAYOUT TABLE			PARTS LIST	
NOZZLE No	DN/PE SIZE	DESCRIPTION	Part NO.	Name
N1				
N2				
N3				
N4				
N5				
N6				

NOTES:


PROPRIETARY AND CONFIDENTIAL
 THIS DRAWING AND THE INFORMATION AND TECHNICAL DATA CONTAINED HEREIN ARE THE EXCLUSIVE PROPERTY OF PROMAX PLASTICS AND SHALL BE RETURNED TO THEM UPON REQUEST.
 THIS DRAWING CONTAINS PROPRIETARY AND CONFIDENTIAL INFORMATION FOR THIS PROJECT AND IS NOT TO BE MADE AVAILABLE TO 3RD PARTIES WITHOUT THE EXPRESS WRITTEN CONSENT OF PROMAX PLASTICS.

DATE

CLIENT APPROVAL SIGNATURE

UNLESS OTHERWISE SPECIFIED: DIMENSIONS ARE IN MILLIMETERS			FINISH:			DEBURR AND BREAK SHARP EDGES					
SURFACE FINISH:			DO NOT SCALE DRAWING			 TITLE: SLIMLINE TANK 2000L NOZZLES LAYOUT DWG NO. SL1002000 SCALE:1:20					
TOLERANCES:			MATERIAL:								
LINEAR:			ASSEMBLY								
ANGULAR:			WEIGHT: 158								
DRAWN			NAME						SIGNATURE		
CHK'D			DATE						DATE		
APPV'D											
MFG											
Q.A											

DO NOT SCALE DRAWING



TITLE:
SLIMLINE TANK 2000L
NOZZLES LAYOUT

DWG NO.
SL1002000

SCALE:1:20

SHEET 1 OF 1