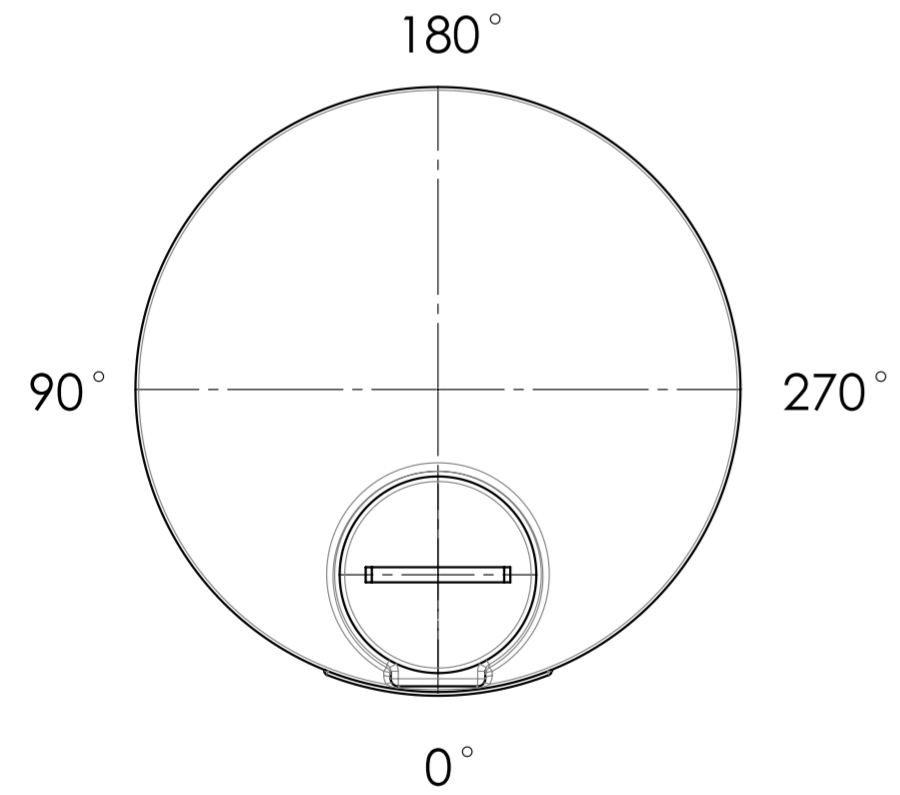
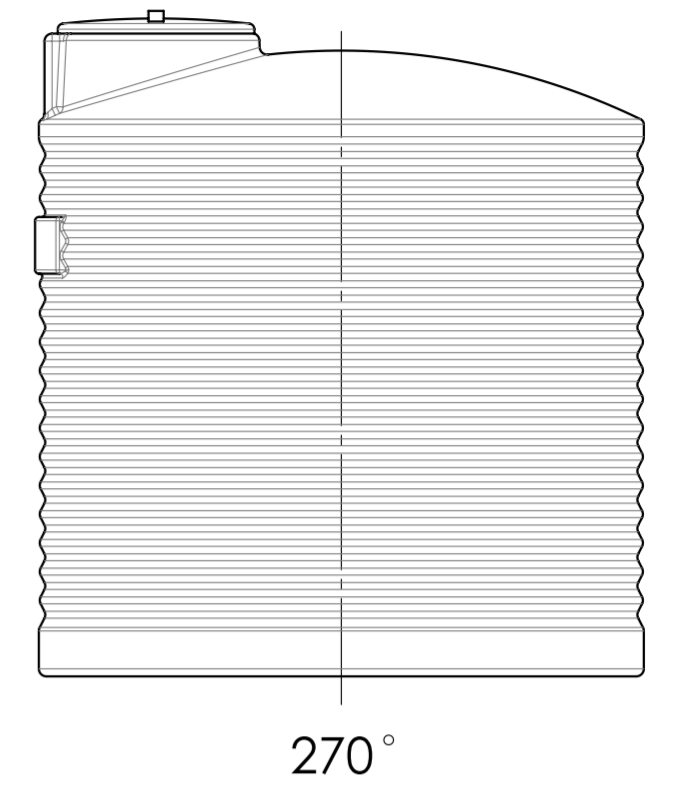
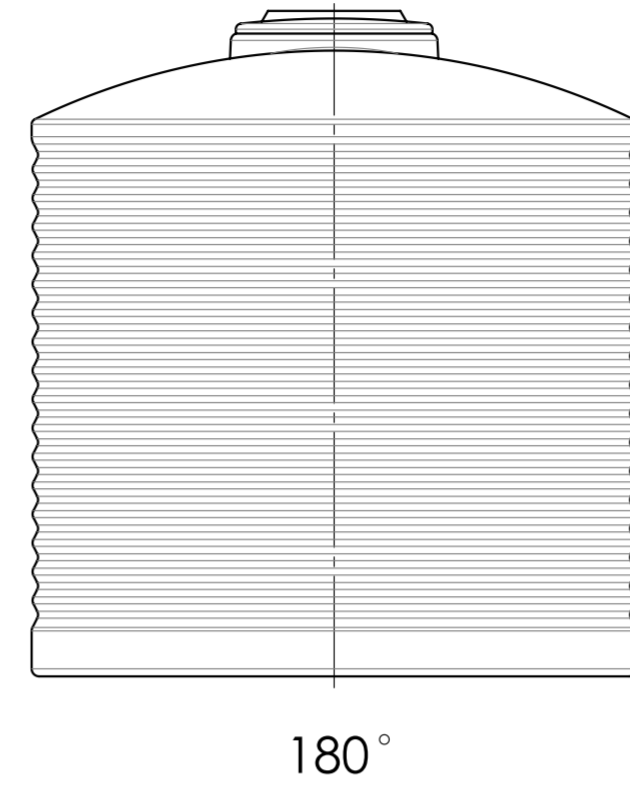
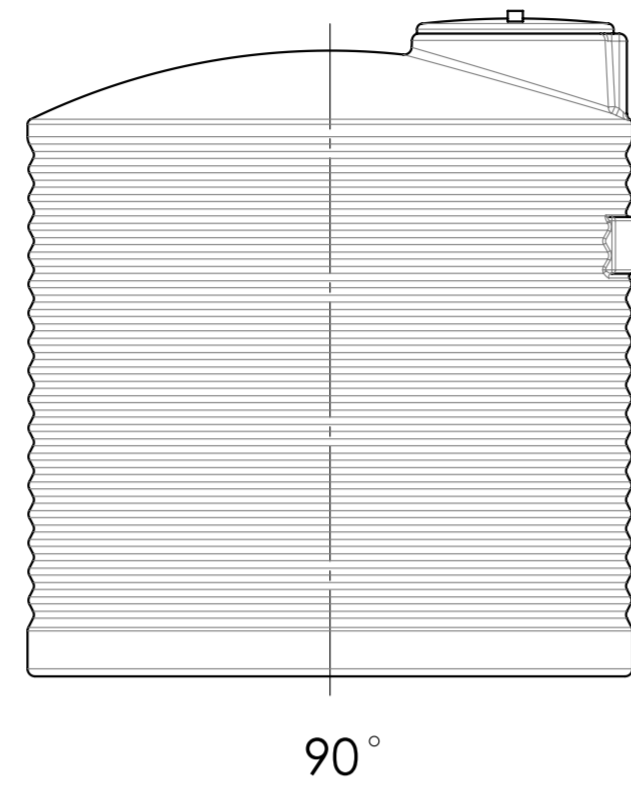
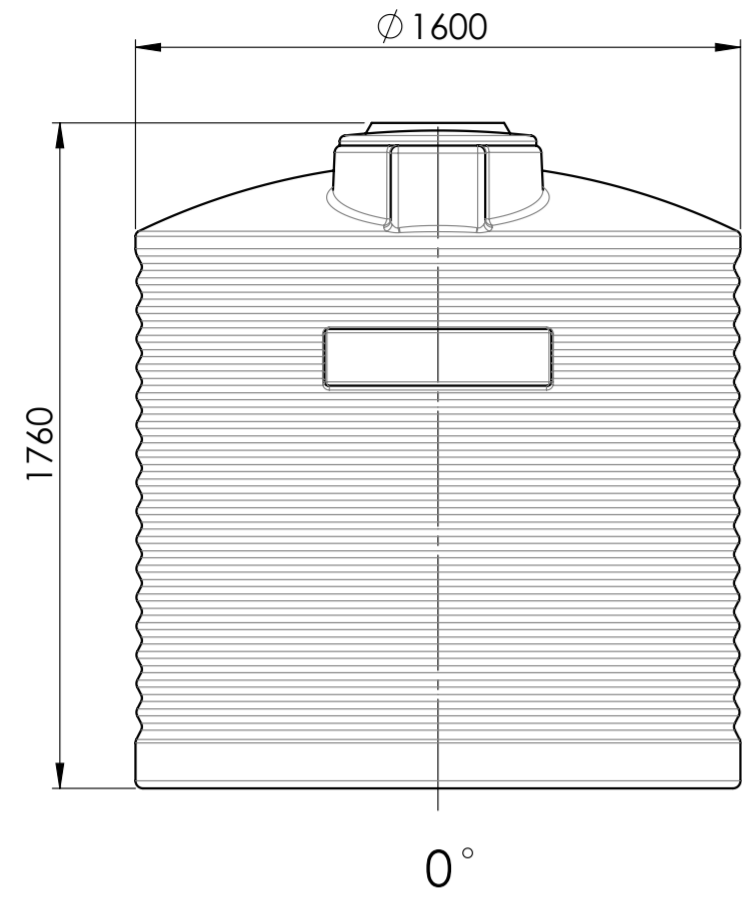


Job Customer:

Title:

Ref:



FITTINGS LAYOUT TABLE				
NOZZLE No	PE SIZE	LEVEL MARK	ANGLE	DESCRIPTION
N1				
N2				
N3				
N4				
N5				
N6				
N7				
N8				

NOTES:
1. LEVEL MARKS ARE IN m, DIMENSIONS ARE IN mm.

DATE	CLIENT APPROVAL SIGNATURE	UNLESS OTHERWISE SPECIFIED: DIMENSIONS ARE IN MILLIMETERS		FINISH:		DEBURR AND BREAK SHARP EDGES		DO NOT SCALE DRAWING		REVISION
		SURFACE FINISH:								
		TOLERANCES:						TITLE:		3000L TANK (EN1003000) NOZZLES LAYOUT
		LINEAR:						DRAWN		
		ANGULAR:						CHK'D		
								APPV'D		
								MFG		
								Q.A.		
						MATERIAL:		DWG NO.	A2	
						WEIGHT:		SCALE:1:20	SHEET 1 OF 1	