

FRAME MANHOLE AS 3996 CLASS B

COVER MANHOLE AS 3996 CLASS B

COVER MANHOLE
AS3996 CLASS B
PMXAC00600TLUGTRAF

S/S HB M10 x 30

FRAME MANHOLE
AS 3996 CLASS B
OMXAC00600TLVGTRAF

S/S HNP M10

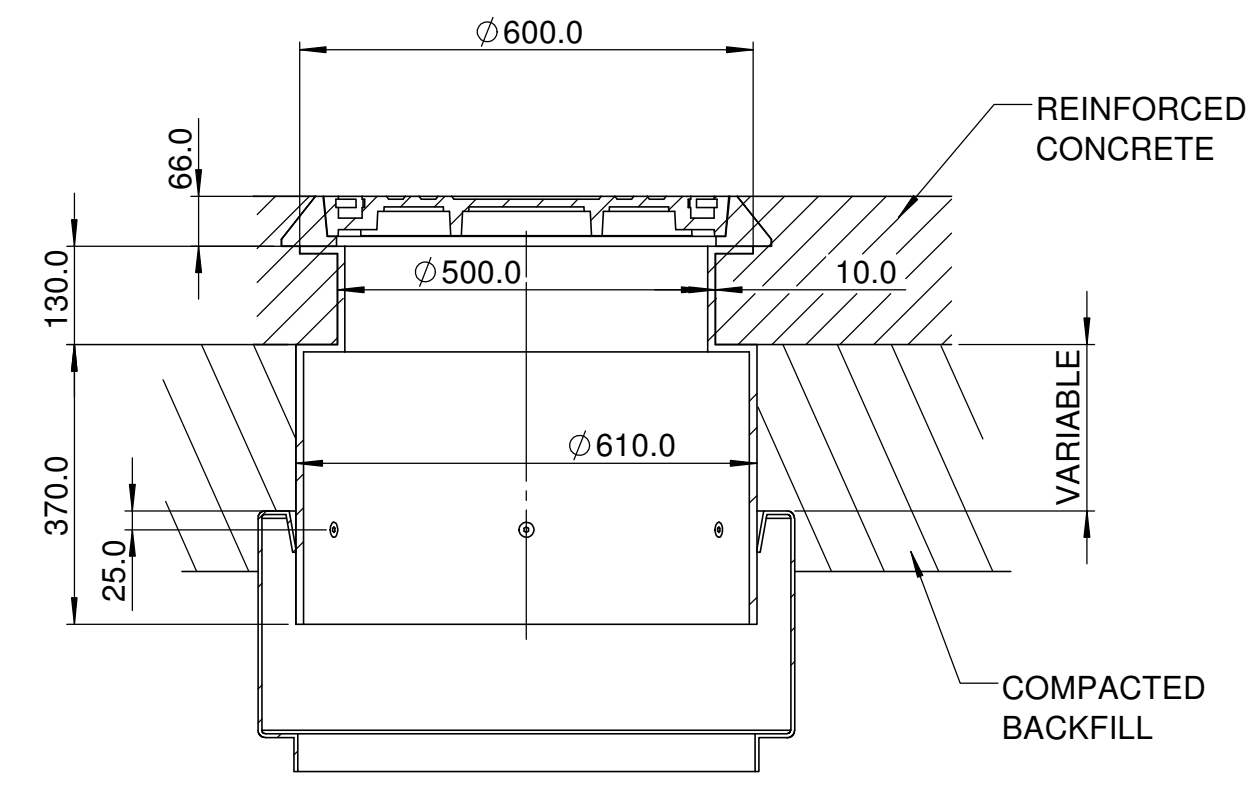
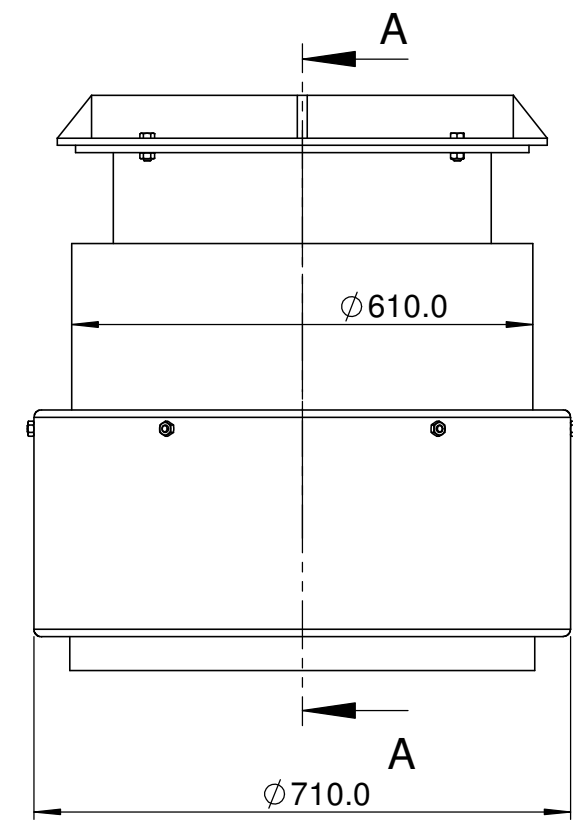
PMXUT000300ATR

6 OFF EQUI SPACED
S/S CSCS M10 x 70

S/S HNP M10

PMXUT000300R

MHRIA10D0010
1 OFF REQUIRED



SECTION A-A

© COPYRIGHT

MATERIAL : SEE PARTS
STOCK SIZE :
MACHINING :
FINISH : SEE PARTS
HEAT TREATMENT :

PART/ASSY MODEL :-
NAME : MHRIA10D00
CONFIGURATION : 10
CONFIG REVISION : C

ORIG. SCALE : 1:10
A3

DESIGNER
DETAIL UNDERGROUND TANKS
ADJUSTABLE TRAFFICABLE RISER
PROJECT MANHOLE

DESCRIPTION	REV.	DATE
ADDED MORE PARTS	B	22/03/2016
ADDED PROMAX CODES	C	22/03/2016
ORIGINAL ISSUE	A	18 MAR 2016
REMARKS	ISS	DATE

PROMAX ENGINEERED PLASTICS

389 Waipara Rd
Kerikeri 0295
Bay of Island
Phone (09) 407 3575
Free Phone 0800 776629

DRG#_TITLE. MHRIA10D0010 SHT 1 OF 1