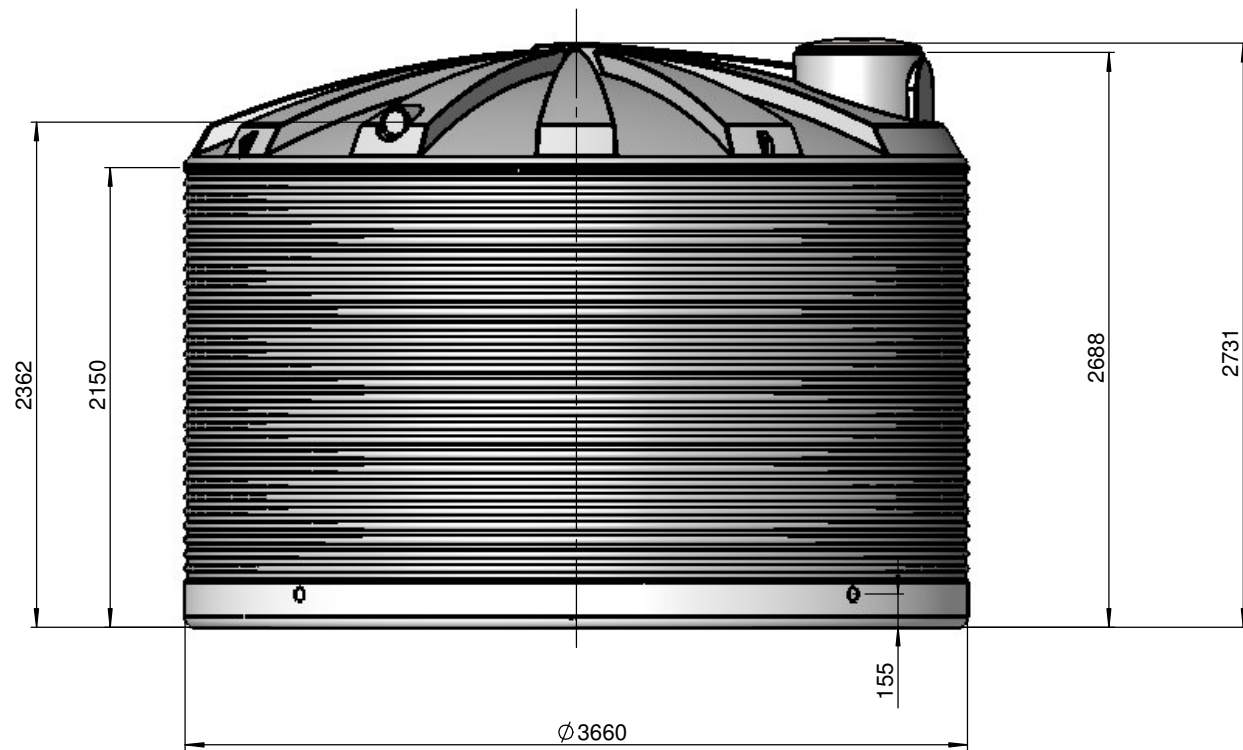
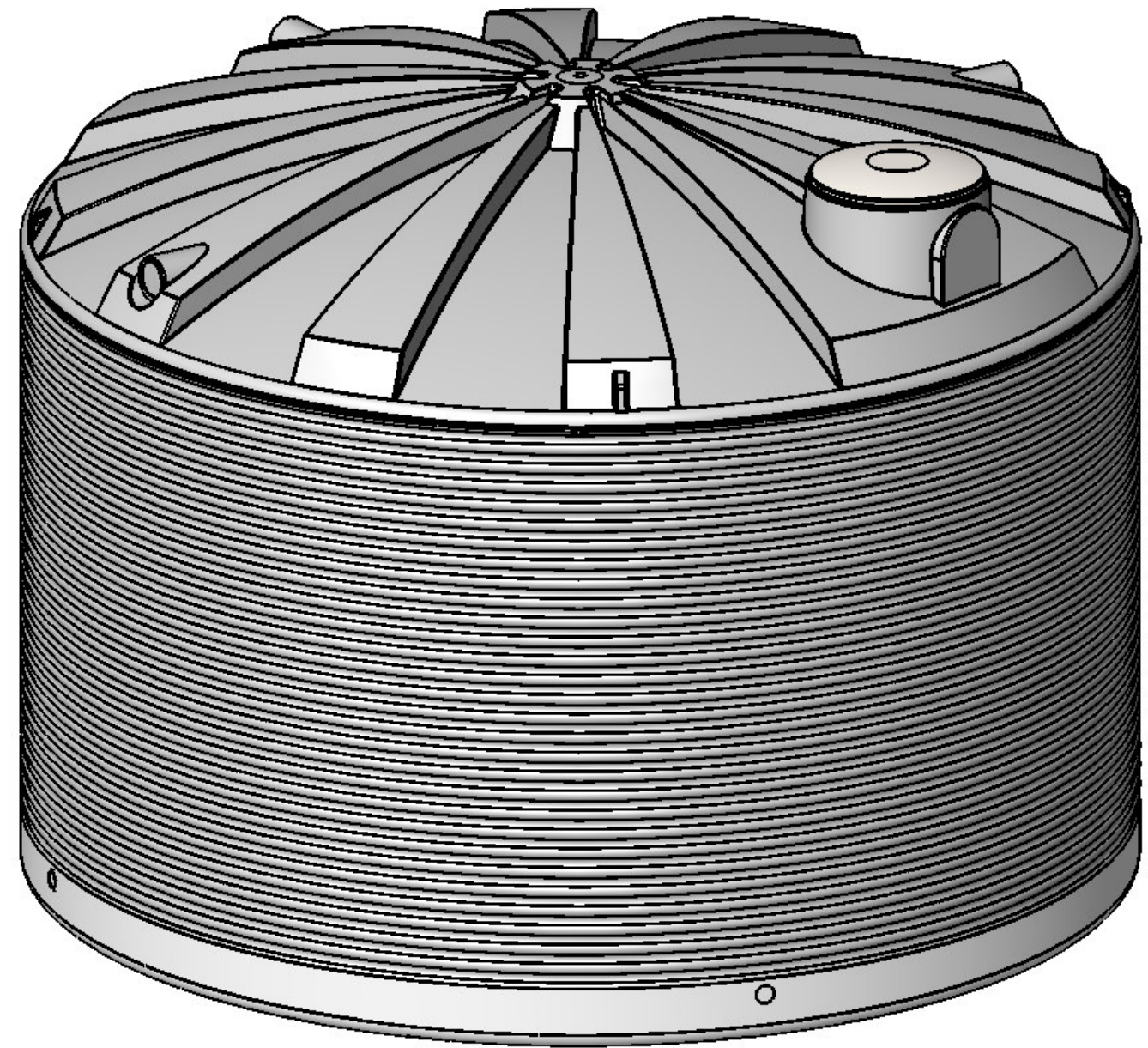
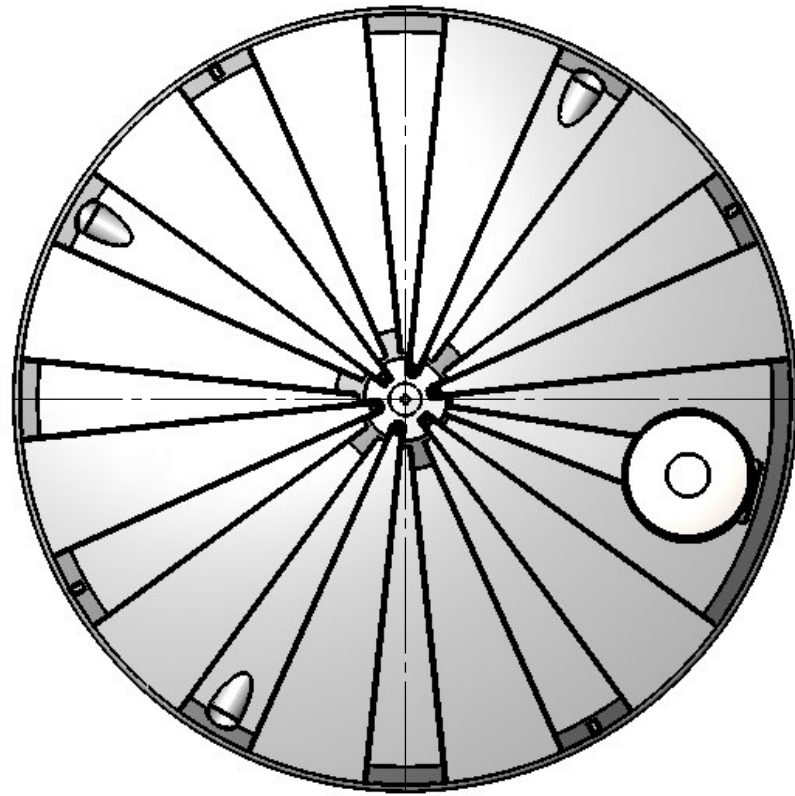


25000 LITER WATER TANK



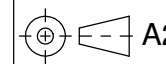
ENIT25000 WATER TANK 25000 LTR

MATERIAL :
 STOCK SIZE :
 MACHINING :
 FINISH :
 HEAT TREATMENT :

 PART/ASSY MODEL :-
 NAME : WATAA01A00 WATERTANK MODEL 25K
 CONFIGURATION : 10
 CONFIG REVISION : C

© COPYRIGHT

ORIG. SCALE
1:25



A2

DESIGNER RETUS

DETAIL: LITER WATER TANK

PROJECT: PROMAX 3810 TANK

DRG#_TITLE. ENIT25000 WATER TANK 25000L

UPDATED TO NEW LID DESIGN	C	20/02/2017
RENAMED & UPDATED	B	03/10/2016
ORIGINAL ISSUE	A	02 APR 2008
REMARKS	ISS	DATE

PROMAX ENGINEERED PLASTICS
ROTATIONAL MOULDERS

Maruata Road
Glenberrie R.D.3
Whangarei

Phone (09) 437 6864
Free Phone 0800 PROMAX

SHT 1 OF 1