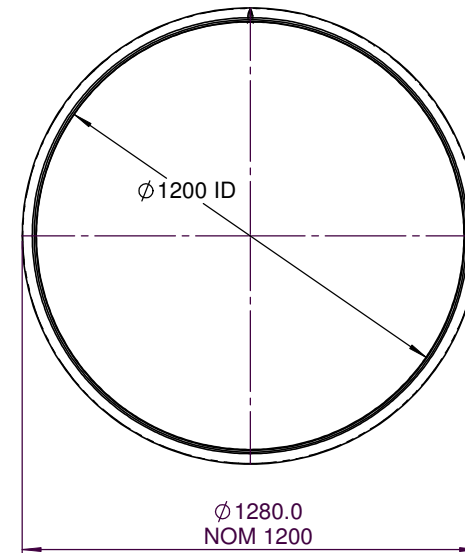
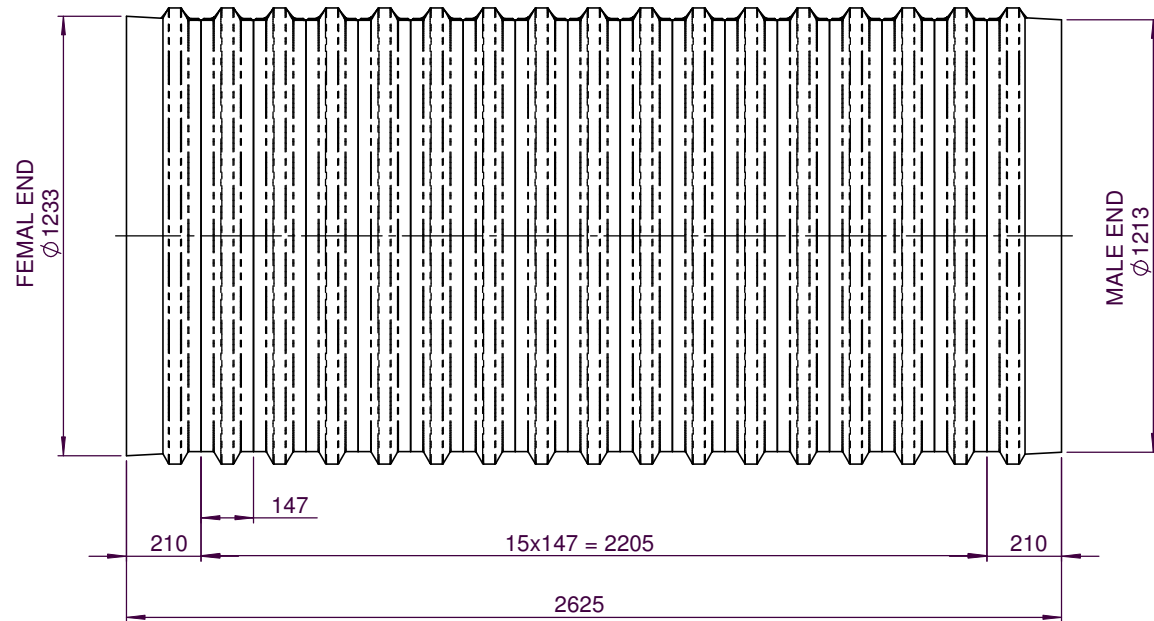
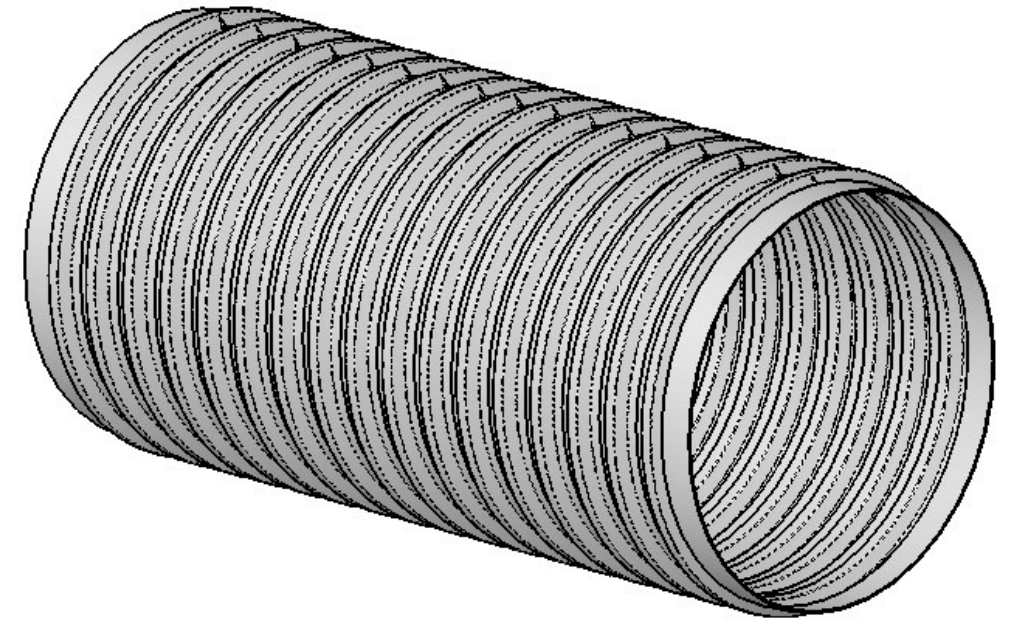


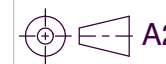
# POLYFLO CULVERT 1200, NOMINAL 2.7m LENGTH



© COPYRIGHT

MATERIAL : PE  
 STOCK SIZE : 1200  
 MACHINING : N/A  
 FINISH : NATURAL  
 HEAT TREATMENT : N/A  
  
 PART/ASSY MODEL :-  
 NAME : POLYA10D12  
 CONFIGURATION : 10  
 CONFIG REVISION : A

ORIG. SCALE  
 1:15



|                |     |             |
|----------------|-----|-------------|
| XXX            | X   | XX XXX XXXX |
| ORIGINAL ISSUE | A   | 10 AUG 2009 |
| REMARKS        | ISS | DATE        |

DESIGNER RETUS

DETAIL POLYFLO 1200

PROJECT POLYFLO CULVERT

DRG#\_TITLE.

POLYA10D1210

**PROMAX** ENGINEERED PLASTICS  
ROTATIONAL MOULDERS

Maruata Road  
 Glenbervie R.D.3  
 Whangarei

Phone (09) 437 6864  
 Free Phone 0800 PROMAX

SHT 1 OF 1