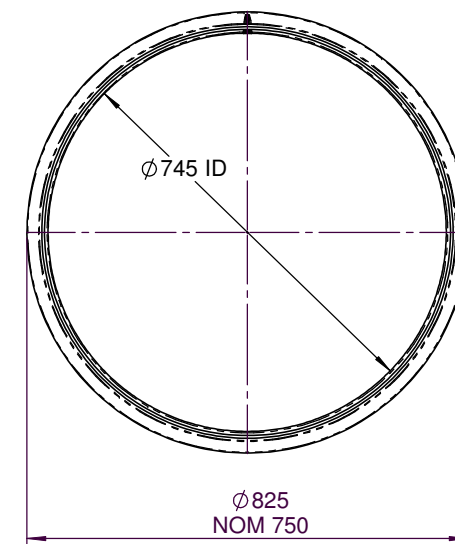
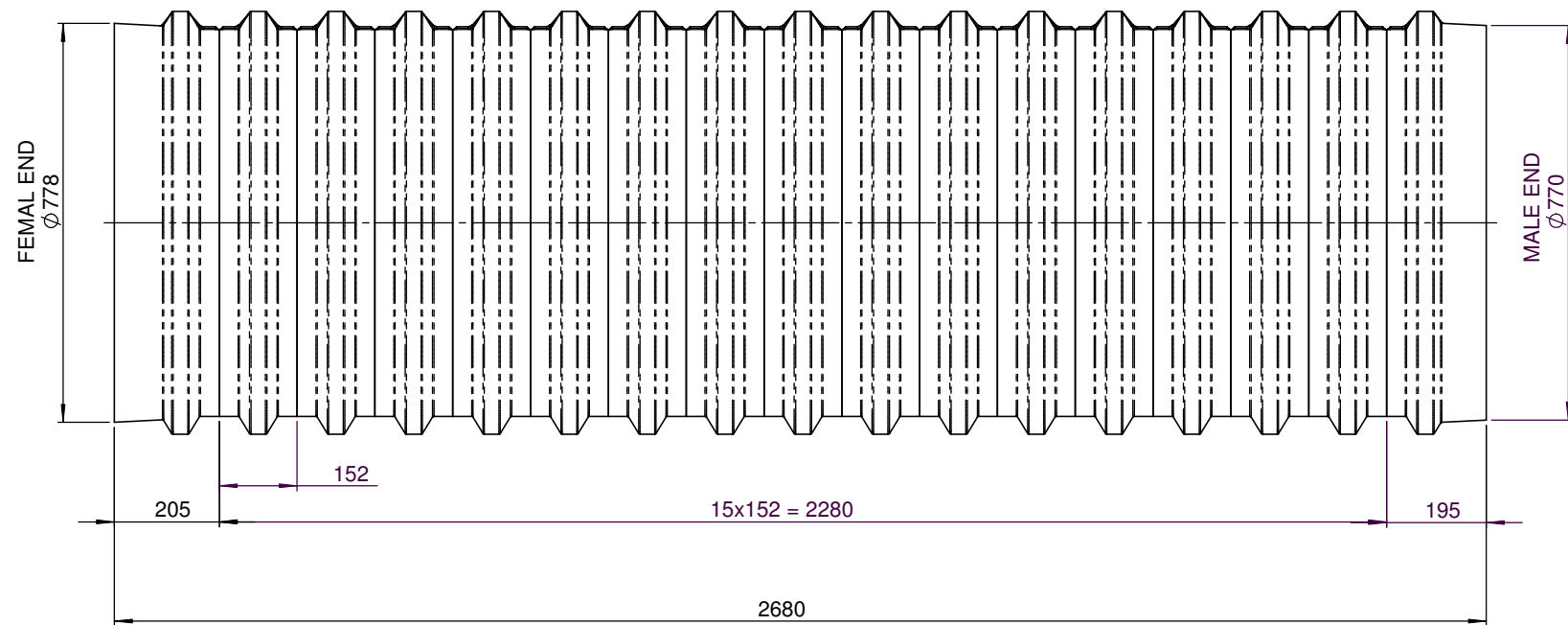
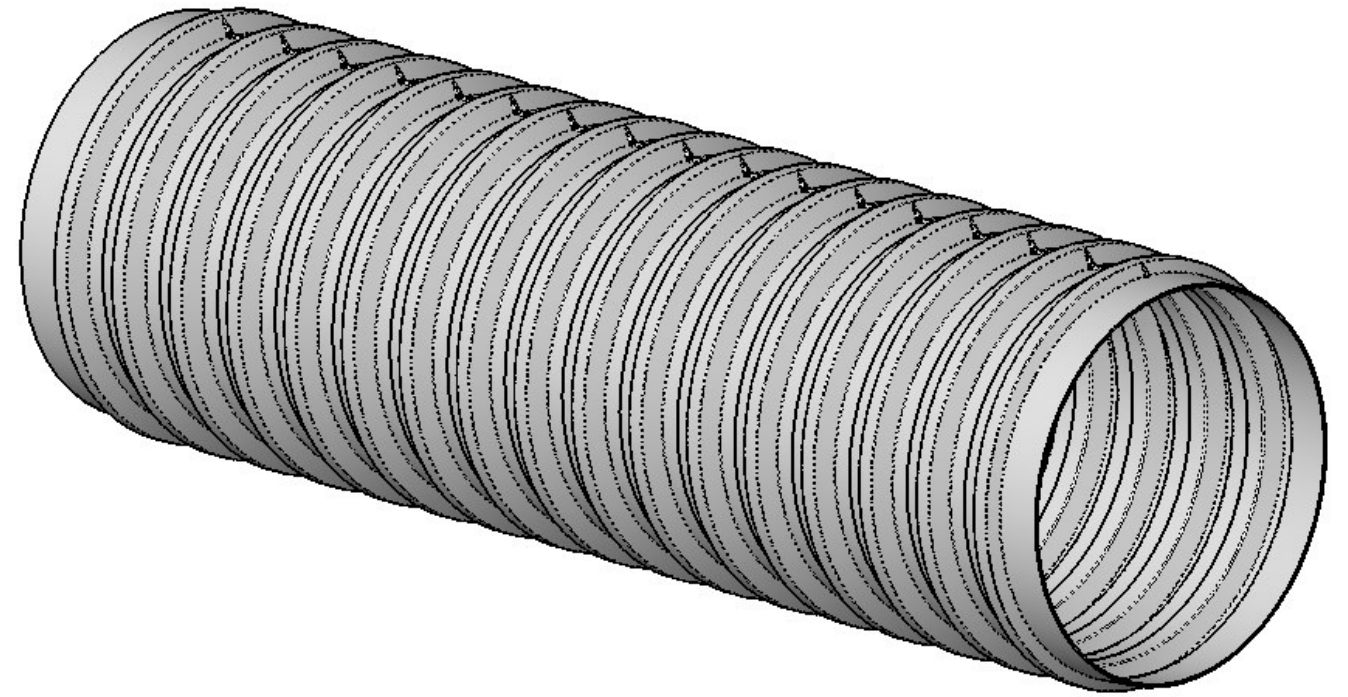


# POLYFLO CULVERT 750, NOMINAL 2.7m LENGTH

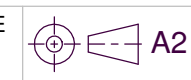


MATERIAL : PE  
 STOCK SIZE : 750  
 MACHINING : N/A  
 FINISH : NATURAL  
 HEAT TREATMENT : N/A

PART/ASSY MODEL :-  
 NAME : POLYA30D75  
 CONFIGURATION : 10  
 CONFIG REVISION : A

© COPYRIGHT

ORIG. SCALE 1:10



DESIGNER RETUS

DETAIL POLYFLO 750

PROJECT POLYFLO CULVERT

DRG#\_TITLE.

XXX X XX XXX XXXX

ORIGINAL ISSUE A 10 AUG 2009

REMARKS ISS DATE

**PROMAX** ENGINEERED PLASTICS  
 ROTATIONAL MOULDERS

Maruata Road  
 Glenbervie R.D.3  
 Whangarei

Phone (09) 437 6864  
 Free Phone 0800 PROMAX

POLYA30D7510 SHT 1 OF 1